

HWF12PXB1, HWF12PXW1

# 12kg 600 Series Front Loader Washing Machine, Ultra Fresh Air, UV Protect



HWF12PXB1



HWF12PXW1

Height

850mm

Width

595mm

Depth

679mm

Weight (Packaged)

89kg

Weight (Product)

85kg

## FEATURES

- 12kg capacity to wash large loads with ease
- 18 cycles including Wool, Shirts and Refresh with Steam
- 5-star water rating and 5-star energy rating for efficient washing
- Ultra Fresh Air, designed to keep clothes fresh for up to 12 hours and the drum dry
- Specialised UV Protect technology kills more than 99.99% of bacteria\*
- Smart Dosing measures and dispenses the right amount of detergent and softener based on the load weight
- Anti-Bacterial Treatment in the gasket keeps laundry hygienic
- Wi-Fi connectivity with the SmartHQ™ app to start or stop cycles and get alerts when the washing is done
- Available in White or Dark, designed to pair with our matching Haier Heat Pump Dryer

\*Independently tested to eliminate greater than 99.99% of Staphylococcus aureus and Escherichia coli using the Cotton cycle plus UV Sanitise wash option.

## ACCESSORIES

- ASKDPXB1 (Stacking Kit Dark)
- ASKDPXW1 (Stacking Kit White)

The models shown in this Specification Guide (SG) may not be available in all markets and are subject to change at any time. Product specifications may vary from those shown. This SG should not be used as installation guidance for any product. Further information is required to safely and correctly install the products featured here. Specific installation guidance will be available with the product on delivery and on our website [haier.com](http://haier.com)

HDHP10PXB1, HDHP10PXW1

## 10kg 600 Series Heat Pump Dryer, Ultra Reverse Drum, Ultra Sense

Haier



HDHP10PXB1



HDHP10PXW1

Height

845mm

Width

595mm

Depth

697mm

Weight (Packaged)

64kg

Weight (Product)

58kg

### FEATURES

- 10kg capacity to dry large loads with ease
- 20 cycles including Allergy, Wool and Down
- 10-star energy rating for energy efficient drying
- Ultra Sense technology, designed for a more thorough dry
- Ultra Reverse Drum changes rotation direction every four minutes to reduce tangling for a more even dry
- i-Refresh Pro technology releases steam and warm air into the drum to refresh and reduce wrinkles in clothes that have been folded or stored
- Triple Variable Speed technology controls the speed of the drum, fan and compressor to optimise drying in every cycle
- Wi-Fi connectivity with the SmartHQ™ app to start or stop cycles and get alerts when the washing is done
- Available in White or Dark, designed to pair with our matching Haier Front Load Washing Machine

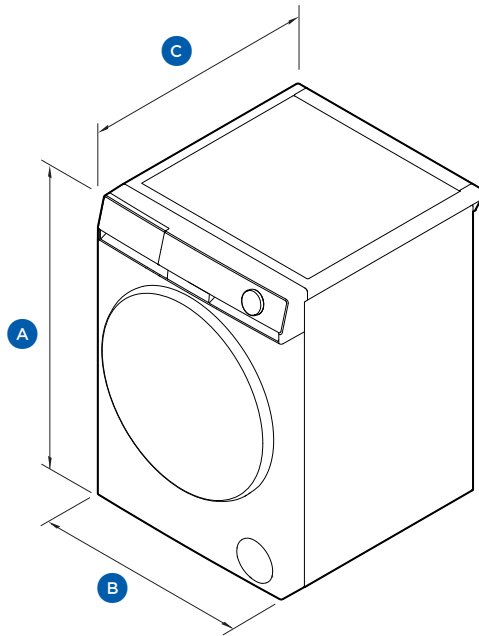
### ACCESSORIES

- ASKDPXB1 (Stacking Kit Dark)
- ASKDPXW1 (Stacking Kit White)

The models shown in this Specification Guide (SG) may not be available in all markets and are subject to change at any time. Product specifications may vary from those shown. This SG should not be used as installation guidance for any product. Further information is required to safely and correctly install the products featured here. Specific installation guidance will be available with the product on delivery and on our website [haier.com](https://www.haier.com)

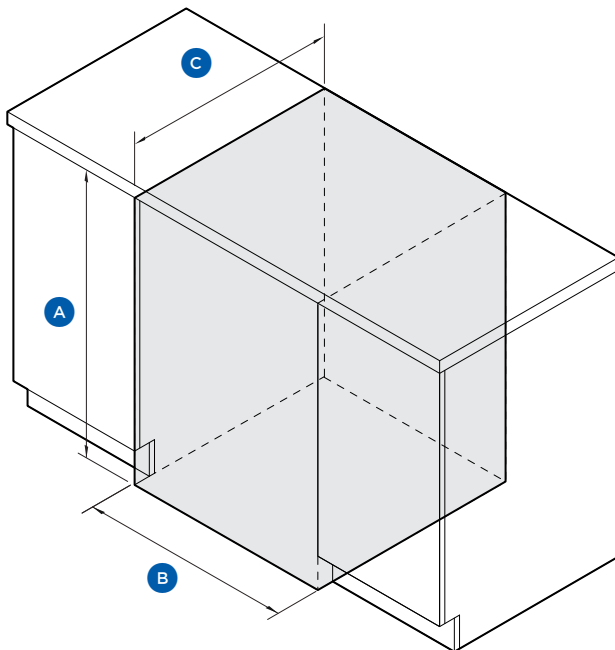
# Product Overview

## PRODUCT DIMENSIONS



|  | mm   |
|--|------|
| <b>A</b> Overall height                        | 850  |
| <b>B</b> Overall width                         | 595  |
| <b>C</b> Overall depth (including door closed) | 679  |
| Overall depth (door open)                      | 1169 |

## CAVITY DIMENSIONS



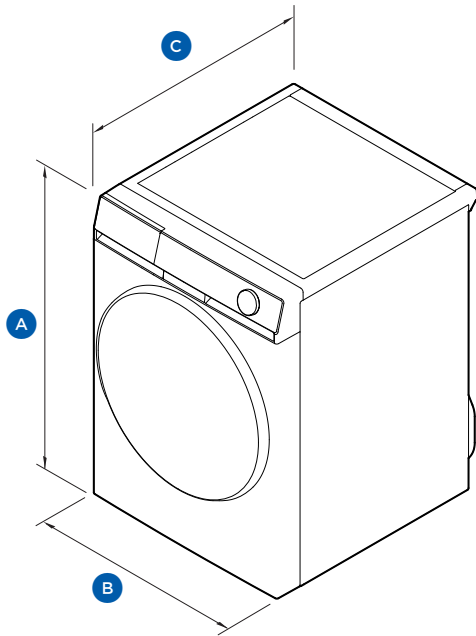
|                                   | mm  |
|-----------------------------------|-----|
| <b>A</b> Overall height of cavity | 865 |
| <b>B</b> Overall width of cavity  | 622 |
| <b>C</b> Minimum depth of cavity  | 688 |

## SERVICES

- Supply 220-240 V, 50 Hz
- Service 10 A
- Connection Flex cord with plug

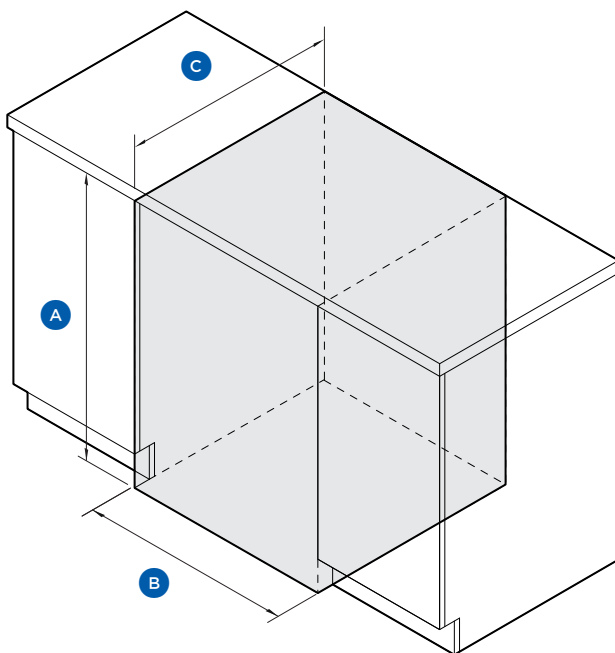
# Product Overview

## PRODUCT DIMENSIONS



|  | mm   |
|--|------|
| <b>A</b> Overall height                        | 845  |
| <b>B</b> Overall width                         | 595  |
| <b>C</b> Overall depth (including door closed) | 697  |
| Overall depth (door open)                      | 1188 |

## CAVITY DIMENSIONS



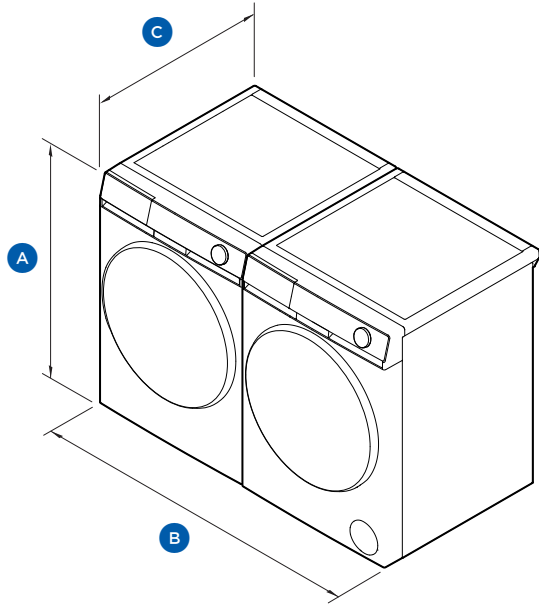
|                                   | mm  |
|-----------------------------------|-----|
| <b>A</b> Overall height of cavity | 860 |
| <b>B</b> Overall width of cavity  | 622 |
| <b>C</b> Minimum depth of cavity  | 707 |

## SERVICES

- Supply 220-240 V, 50 Hz
- Service 10 A
- Connection Flex cord with plug

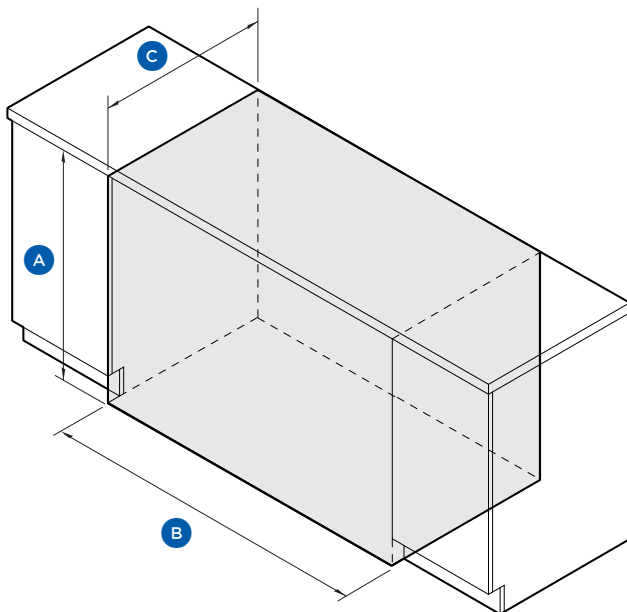
# Product Overview

## PRODUCT DIMENSIONS



|                         | mm   |
|-------------------------|------|
| <b>A</b> Overall height | 850  |
| <b>B</b> Overall width  | 1207 |
| <b>C</b> Overall depth  | 697  |

## CAVITY DIMENSIONS

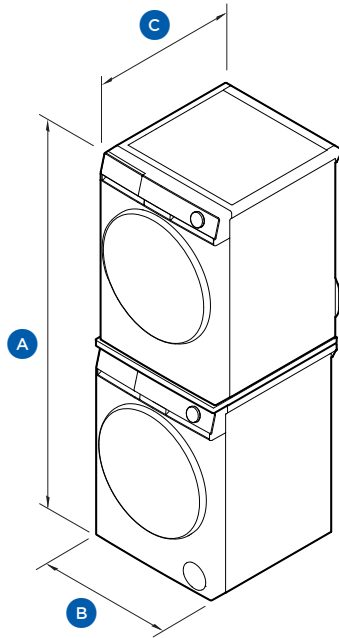


|                                   | mm   |
|-----------------------------------|------|
| <b>A</b> Overall height of cavity | 865  |
| <b>B</b> Overall width of cavity  | 1234 |
| <b>C</b> Minimum depth of cavity  | 707  |

The models shown in this Specification Guide (SG) may not be available in all markets and are subject to change at any time. Product specifications may vary from those shown. This SG should not be used as installation guidance for any product. Further information is required to safely and correctly install the products featured here. Specific installation guidance will be available with the product on delivery and on our website [haier.com](http://haier.com)

# Product Overview

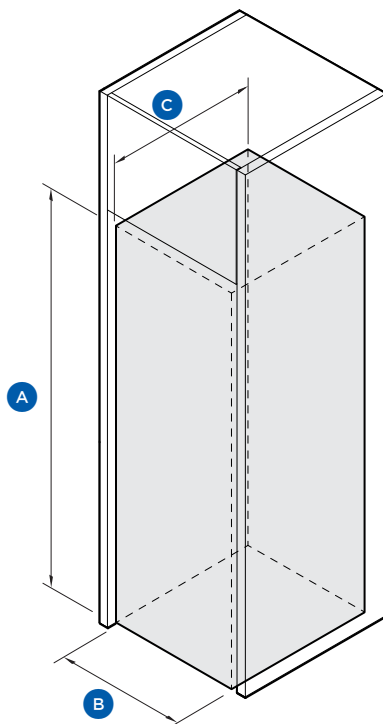
## PRODUCT DIMENSIONS



|                          | mm   |
|--------------------------|------|
| <b>A</b> Overall height* | 1696 |
| <b>B</b> Overall width   | 595  |
| <b>C</b> Overall depth   | 697  |

\*Including stacking kit height (sold separately).

## CAVITY DIMENSIONS



|                                   | mm   |
|-----------------------------------|------|
| <b>A</b> Overall height of cavity | 1711 |
| <b>B</b> Overall width of cavity  | 622  |
| <b>C</b> Minimum depth of cavity  | 767  |

The models shown in this Specification Guide (SG) may not be available in all markets and are subject to change at any time. Product specifications may vary from those shown. This SG should not be used as installation guidance for any product. Further information is required to safely and correctly install the products featured here. Specific installation guidance will be available with the product on delivery and on our website [haier.com](http://haier.com)