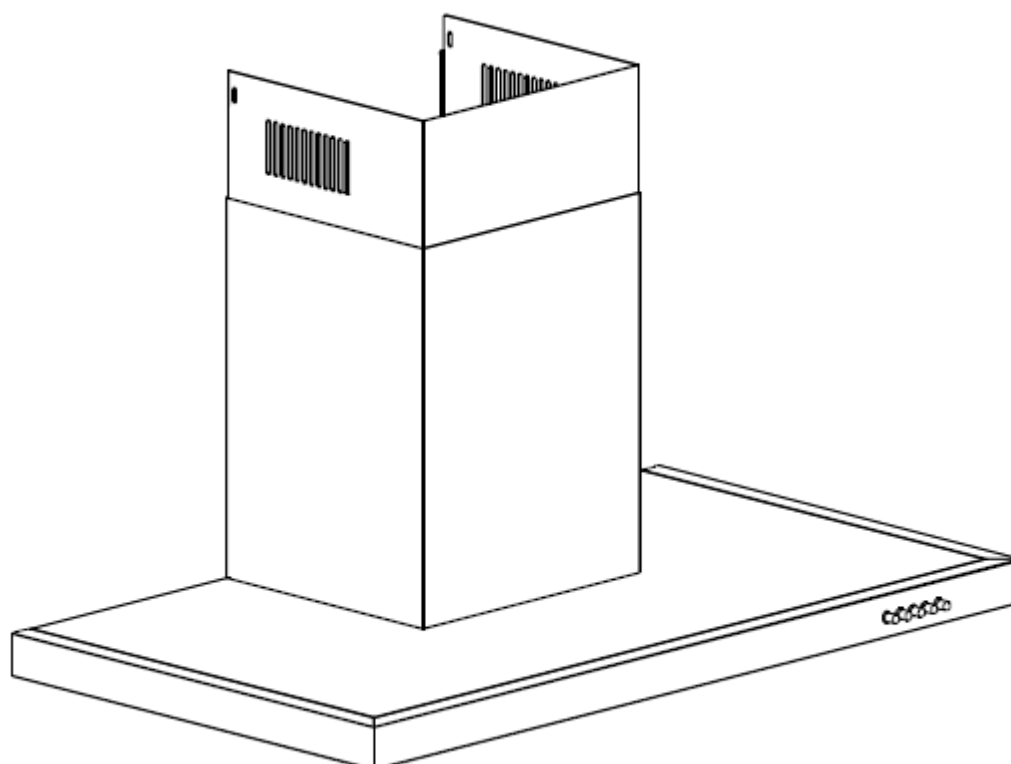


Service Manual

HC60BLX1 & HC90BLX1



Contents

1.	Safety considerations and installation instruction	3
1.1	Safety	3
1.2	Installation instruction	3
2.	Product code	3
3.	Overall dimension	4
4.	Functions instructions	4
5.	Usage	5
6.	Troubleshooting	6
7.	Components replacement	7
7.1	Replace the LED light	7
7.2	Replace the switch	7
7.3	Replace the impeller and the motor	8
8.	Electrical principle drawing	9
9.	Rating label	10

1. Safety considerations and installation instruction

1.1 Safety

In certain circumstances electrical appliance may be a danger hazard.

- ◆ There shall be adequate ventilation of the room when the cooker hood is used at the same time as appliances burning gas or other fuels.
- ◆ Do not check the status of the filters while the range hood is operating.
- ◆ Do not flame under the cooker hood.
- ◆ Avoid opening gasometer when there is no pan on the stove, as it is damaging for the filters and a fire hazard.
- ◆ Constantly check food frying to avoid that the overheated oil may become a fire hazard.
- ◆ Disconnect the electrical plug prior to any maintenance.
- ◆ Regulations concerning the discharge of air have to be fulfilled.
- ◆ When the range hood and appliances supplied with energy other than electricity are simultaneously in operation, the negative pressure in the room must not exceed 4 Pa (4 x 10⁻⁵ bar).
- ◆ Children should be supervised to ensure that they do not play with the appliance.
- ◆ Attention! Observe the warning in the instruction sheet concerning the operation of the appliance when air is discharged from the room.
- ◆ The range hood is intended to be installed over a hob having no more than four hob elements.
- ◆ Indoor use and household use only.
- ◆ When the appliance is not in use and before cleaning, unplug the appliance from the outlet.
- ◆ To protect against the risk of electrical shock, do not immerse the unit, cord or plug in water or other liquid.
- ◆ This appliance can be used by children aged from 8 years and above and persons with reduced physical, sensory or mental capabilities or lack of experience and knowledge if they have been given supervision or instruction concerning use of the appliance in a safe way and understand the hazards involved. Children shall not play with the appliance. Cleaning and user maintenance shall not be made by children unless they are older than 8 and supervised.

1.2 Installation instruction

- ◆ When the range hood is to be installed above an electric hob, the minimum distance between the hob and range hood must exceed 600mm (650mm is recommended).
- ◆ When the range hood is to be installed above a gas hob, the minimum distance between the hob and range hood must exceed 700mm (750mm is recommended).
- ◆ The height should be measured from the top of the burners.

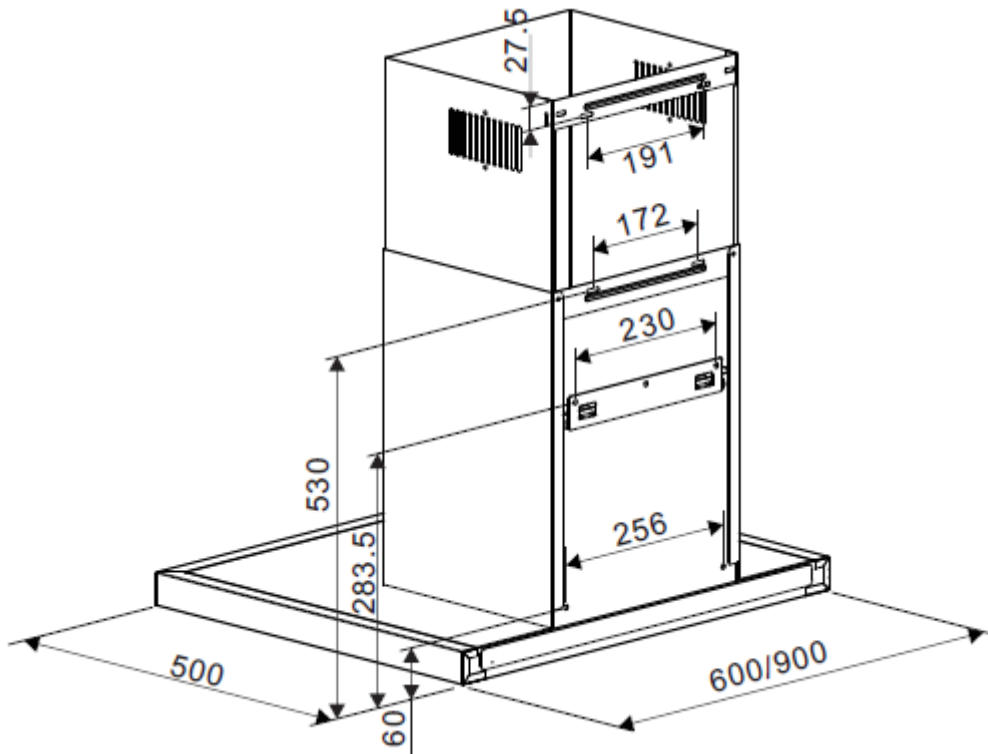
2. Product code

MODEL	CA	EAN 13
HC60BLX1	50185	9415112501856
HC90BLX1	50186	9415112501863

3. Overall dimension

Ducting and ventilation:

For best performance and lowest noise output, we recommend the use of 150mm.



4. Functions instructions

Control Panel



- 1) Push the “0”button, and the motor will stop.
- 2) Push the “1”button, and the motor will run at low speed.
- 3) Push the “1”button, and the motor will run at mid speed.
- 4) Push the “3”button, and the motor will run at high speed.
- 5) Push the light button and the two lights will illuminate. Push it again and the light will turn off.

5. Usage

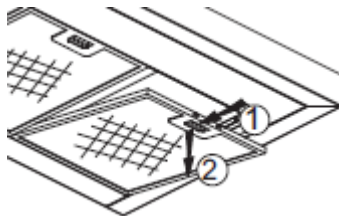
Important: do not perform maintenance or cleaning of the range hood without first switching off the electricity supply.

■ Cleaning

You should use a nonabrasive cleaner. Any abrasive cleaner (including Cif) will scratch the surface and could erase the control panel markings. You can clean your Range hood effectively by simply using a dilute solution of water and mild detergent and drying to a shine with a clean cloth.

■ Cleaning the grease filter

The grease filter should be kept clean to minimize the risk of fire. At least once a month you should remove and clean the grease filter with hot soapy water. After rinsing and drying, replace the filter. To remove the grease filter, push in the button on the handle and then pull down on the filter at the front as shown in figure. When you have released it at the front, then you can pull the filter out completely.



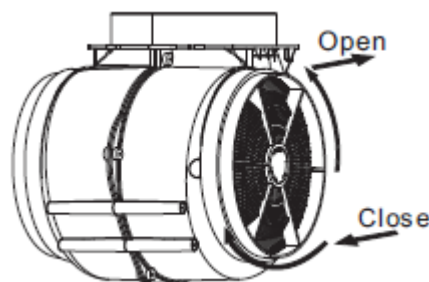
■ Charcoal filter installation

In re-circulating discharge, air is vented back into the kitchen through the opening in the range hood. If you do not anticipate heavy cooking, this method may be preferable. Re-circulating discharge requires the use of charcoal filters (included) to remove odors.

Attention- Then range hood leaving factory is with charcoal filters installed. For ducting discharge, please remove charcoal filters. To ensure best performance of your range hood, you should replace the charcoal filter every 3 to 6 months, depending on use. Check with your local retailer or dealer to buy new charcoal filters for replacement.

Note: This charcoal filter is non-washable. The installation procedure of new carbon filter is as below:

- 1) Before installing or replacing the carbon filters, disconnect the mains power to the unit.
- 2) Press the filter lock and remove the mesh filter.
- 3) Turn the carbon filter on both sides of the motor anti-clockwise. Replace the carbon filters with the new carbon filters.
- 4) Replace the mesh filter.
- 5) Connect the mains power supply to the wall socket.



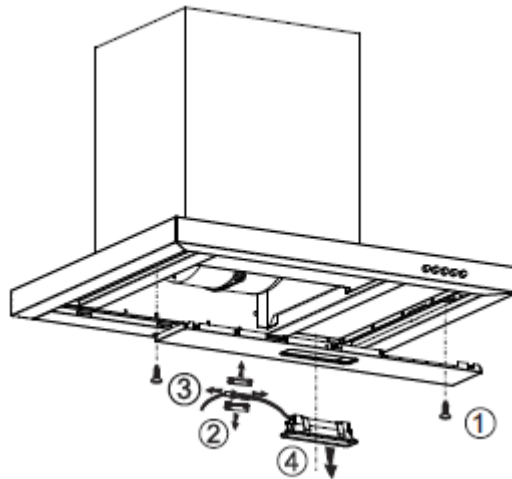
6. Troubleshooting

Fault phenomenon	Fault cause	Solution
No power	<ul style="list-style-type: none"> a. Power plug is not plugged in or not plugged in properly b. Power socket has no power c. Power in not connected to the fuse 	<ul style="list-style-type: none"> a. Connect the power plug b. Connect power or contact electrician for service c. Repair or contact electrician for service
Don't work	<ul style="list-style-type: none"> a. Power plug is not plugged in or the voltage is unstable b. Button is not pressed 	<ul style="list-style-type: none"> a. Connect power or contact electrician for service b. Press the button
Light is out	<ul style="list-style-type: none"> a. Light button not pressed b. Light is broken 	<ul style="list-style-type: none"> a. Press light button b. Repair the light
Body shaking	<ul style="list-style-type: none"> a. Product is not firmly fixed b. Impeller installation is not in place c. Impeller is broken 	<ul style="list-style-type: none"> a. Fixed product firmly b. Install impeller in place c. Replace impeller
Suction not strong	<ul style="list-style-type: none"> a. Open the window widely or closed when use the hood b. Installation height is not in place c. Smoke tube is too long or bending too much d. Public chimney is narrow or outlet is not tightly closed 	<ul style="list-style-type: none"> a. Open or close the window to adjust the smoke exhaust effect b. Adjust the installation appropriate height c. Reduce the tube length or bending quantity d. Enlarge the diameter of public chimney or make the outlet tightly closed

7. Components replacement

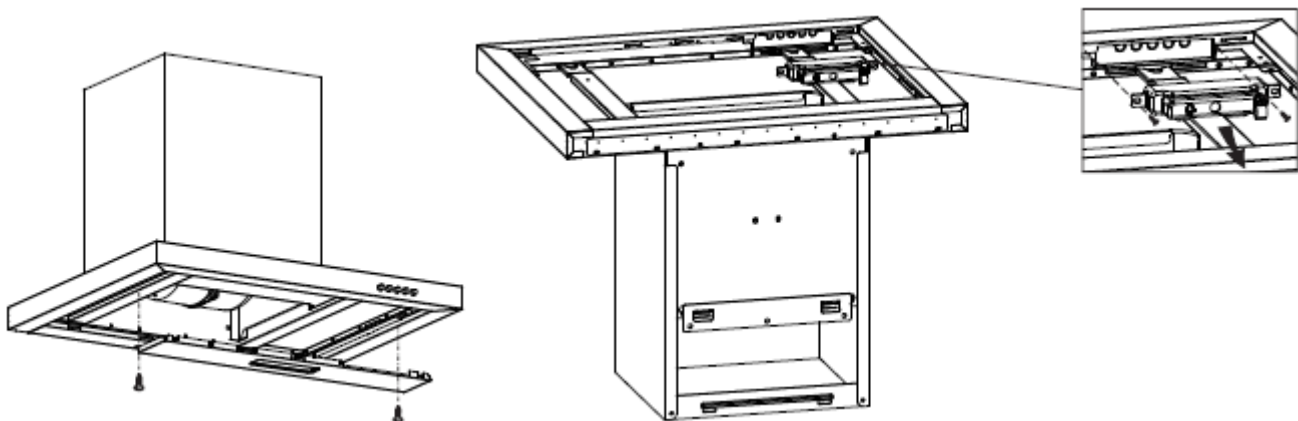
7.1 Replace the LED light

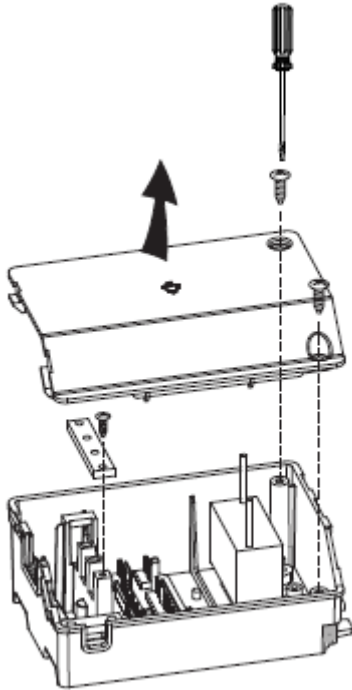
- (1) Turn off the cooker hood and remove the filters;
- (2) Use a screwdriver to remove the 2 screws on the lamp plate and remove the lamp plate;
- (3) Remove the terminal box from the inside of the body and disassemble;
- (4) Disassemble the terminal that needs to replace the lamp;
- (5) Take down the light to replace.



7.2 Replace the switch

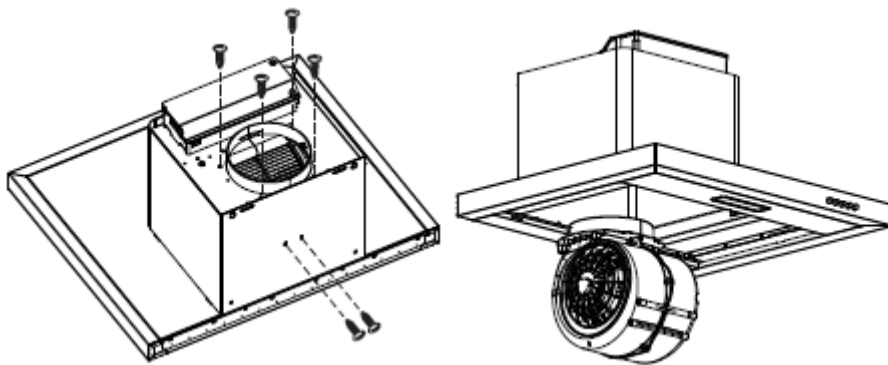
- (1) Turn off the cooker hood and remove the filters;
- (2) Use a screwdriver to remove the 2 screws on the lamp plate and remove the lamp plate;
- (3) Use a screwdriver to remove the 2 screws on the switch assembly and remove the switch;
- (4) Remove the cover of the junction box and the crimping plate, unplug the switch wire, and remove the switch assembly.

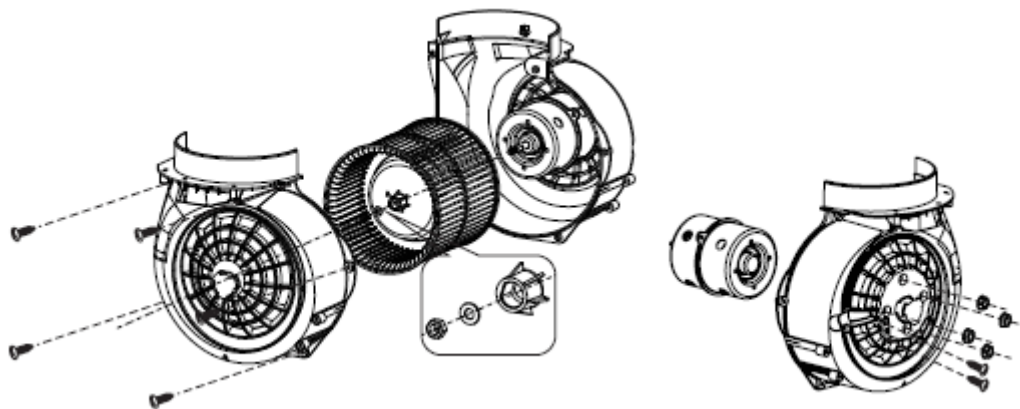




7.3 Replace the impeller and the motor

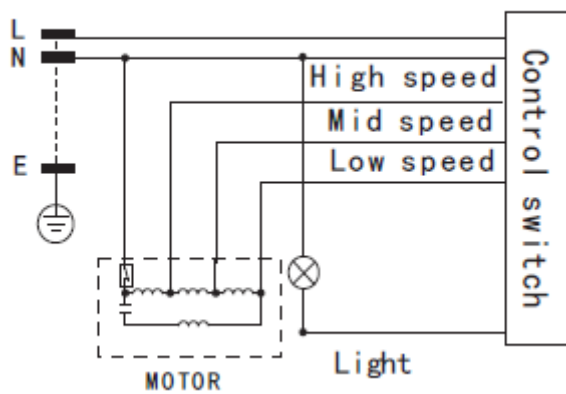
- (1) Use a screwdriver to remove the 6 screws fixing the motor assembly and remove the motor assembly;
- (2) Remove the grease filters;
- (3) Replace the impeller: Use a screwdriver to remove the 5 screws on the volute and remove the left volute. Then remove the screw nuts and washers that fix the impeller and remove it.
- (4) Replace the motor: Follow the above steps to remove the left volute and impeller, use a screwdriver and sleeve to remove. Remove the screws on the crimping plate and the 4 screw nuts that secure the motor.





8. Electrical principle drawing

AC 220-240V/50Hz




9. Rating label

FISHER & PAYKEL

Product Code: 50185
Model: HC60BLX1
Serial No: 50185DDMMYY001


220V-240V ~ 50Hz 192W Total


Ⓜ 190W
☀ 1x2W

FISHER & PAYKEL

Product Code: 50186
Model: HC90BLX1
Serial No: 50186DDMMYY001

220V-240V ~ 50Hz 194W Total


Ⓜ 190W
☀ 2x2W