

HWO60S9EB5, HWO60S9EX5, HWO60S9EG5

Oven, 60cm

9 Function, with Air Fry



HWO60S9EB5



HWO60S9EX5



HWO60S9EG5



Haier

Height

595mm

Width

595mm

Depth

568mm

Weight (Packaged)

35kg

Weight (Product)

33kg

FEATURES

- Choose from three versatile finishes – stainless steel, black glass, or mid grey to suit a range of material palettes
- 9 functions including Air Fry, Pizza Plus
- Basic Steam cooking to lock in moisture and nutrients
- Soft open and close door, for effortless handling
- 78l gross capacity 70l useable capacity

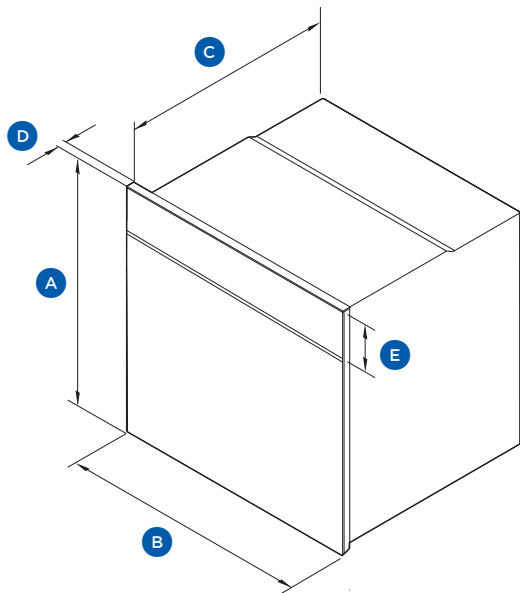
ACCESSORIES

- 2x wire racks
- Baking tray
- Air Fry tray

The models shown in this Specification Guide (SG) may not be available in all markets and are subject to change at any time. Product specifications may vary from those shown. This SG should not be used as installation guidance for any product. Further information is required to safely and correctly install the products featured here. Specific installation guidance will be available with the product on delivery and on our website haier.com

Product overview

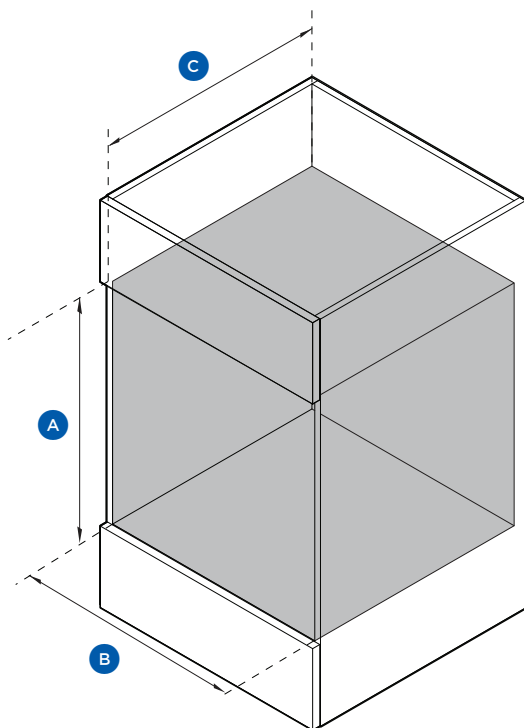
PRODUCT DIMENSIONS



		mm
A	Overall height	595
B	Overall width	595
C	Chassis depth	548
D	Depth of control panel	20
E	Control panel height	100

The illustration is indicative only

CAVITY DIMENSIONS



		mm
A	Minimum inside height of cavity	600
B	Minimum inside width of cavity	560
C	Minimum inside depth of cavity	560

SERVICES

- Supply 220-240 V, 50 Hz
- Service 16 A
- Connection Hardwired

The models shown in this Specification Guide (SG) may not be available in all markets and are subject to change at any time. Product specifications may vary from those shown. This SG should not be used as installation guidance for any product. Further information is required to safely and correctly install the products featured here. Specific installation guidance will be available with the product on delivery and on our website haier.com