

HOR60S4CCRW1

# Freestanding Cooker, Electric, 60cm, 4 Elements, Coil

Haier



Height

1145mm

Width

595mm

Depth

620mm

Total Oven Capacity

85L

Weight (Packaged)

59kg

Weight (Product)

51kg

## FEATURES

- 85L capacity oven
- Four coil cooking elements, catering to various cookware sizes
- Wide temperature range of 50-250°C
- Triple glazed glass door for improved insulation
- Removable oven door and glass for easy cleaning
- Adjustable feet and rollers for easy movement
- Two power sockets and control dials on the rear side for added safety and convenience
- 120-minute manual dial timer
- Four oven functions: Traditional Bake, Bake, Grill, and Light
- Storage drawer for additional convenience

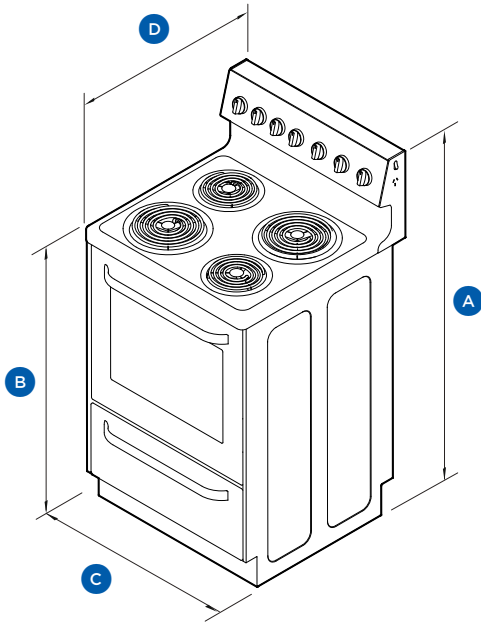
## ACCESSORIES

- 2 x Wire Shelves
- 1 x Roasting Tray
- 1 x Shallow Roasting Tray
- 1 x Insert Rack

The models shown in this Specification Guide (SG) may not be available in all markets and are subject to change at any time. Product specifications may vary from those shown. This SG should not be used as installation guidance for any product. Further information is required to safely and correctly install the products featured here. Specific installation guidance will be available with the product on delivery and on our website [haier.com](http://haier.com)

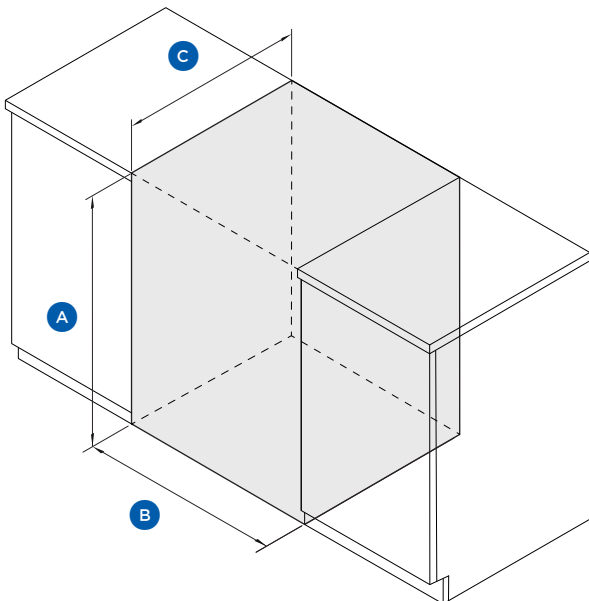
# Product overview

## PRODUCT DIMENSIONS



		mm
<b>A</b>	Overall height (including adjustable feet)	min 1143 max 1153
<b>B</b>	Height from floor to cooktop (excluding splashback)	min 900 max 910
<b>C</b>	Overall width	595
<b>D</b>	Overall depth	620

## CABINETY OPENING



		mm
<b>A</b>	Minimum height	900
<b>B</b>	Minimum width of cabinetry opening	600
<b>C</b>	Maximum depth	620

## SERVICES

- Supply 220-240 V, 50 Hz
- AMP draw 32 A
- Connection Hard wired

The models shown in this Specification Guide (SG) may not be available in all markets and are subject to change at any time. Product specifications may vary from those shown. This SG should not be used as installation guidance for any product. Further information is required to safely and correctly install the products featured here. Specific installation guidance will be available with the product on delivery and on our website [haier.com](http://haier.com)