



User manual  
Laundry Centre

HLC1290CTB1

**Haier**

NZ AU

## Thank you for purchasing a Haier Product.

Please read these instructions carefully before using this appliance. The instructions contain important information which will help you get the best out of the appliance and ensure safe and proper installation, use and maintenance.

Keep this manual in a convenient place so you can always refer to it.

If you sell the appliance, give it away, or leave it behind when you move house, make sure you also pass this manual so that the new owner can become familiar with the appliance and safety warnings.

### Legend



**Warning!** – Important Safety information



General information and tips



Environmental information

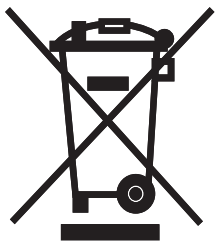


Warning: Risk of fire/Flammable materials



Read the instructions

### Disposal



Help protect the environment and human health. Put the packaging in applicable containers to recycle it. Help to recycle waste of electrical and electronic appliances. Do not dispose appliances marked with this symbol with the household waste. Return the product to your local recycling facility or contact your municipal office for advice on adequate disposal.

Safety information.....	4
Product description.....	11
Installation.....	13
Technical data.....	18
Control panel .....	20
Wi-Fi connection & Remote mode .....	27
Programmes .....	29
Preparation.....	32
Eco-friendly washing .....	38
Care and cleaning .....	39
Troubleshooting .....	43
Customer service.....	48

Before switching on your appliance for the first time, read and save this guide.



## WARNING!

### Meaning of symbols on the Washer-dryer



Warning: Risk of fire/Flammable materials



Read the instructions

### Before first use

- ▶ Do not operate this machine if it has been damaged during transport. Contact your dealer or Haier service technician.
- ▶ Ensure all transport bolts are removed before running the appliance. Failure to do so might end in damage to the appliance.
- ▶ Remove all packaging and keep out of reach of children.
- ▶ This appliance is heavy, we recommend 2 people to move and install the appliance.
- ▶ This product has been designed for personal, family or household use. This product is not designed for any commercial use. Any commercial use will terminate this products manufacturer's warranty.

### Daily use

- ▶ This appliance is not intended for use by persons (including children) with reduced physical, sensory or mental capabilities, or lack of experience and knowledge, unless they are supervised or given instructions on how to use it by someone responsible for their safety.
- ▶ Supervise children to ensure they do not play with the appliance or climb inside the drum.
- ▶ Do not swing on or put weight on the door.
- ▶ The appliance should only be used for garments recommended for machine washing/drying. Always follow the advice on the care label.

**WARNING!****Daily use**

- ▶ Do not touch or operate the machine with wet hands or with bare-feet.
- ▶ Do not place dripping wet clothing in or on top of the appliance as it may create an electrical hazard.
- ▶ Do not use the appliance if industrial chemicals (e.g. solvents) have been used on the clothes.
- ▶ Remove all items such as lighters and matches from pockets.
- ▶ Pull up zips, fix loose threads and protect embellishments to prevent garments from being damaged and entangled.
- ▶ Garments that contain metal reinforcements should not be placed in the appliance. If necessary, use an appropriate laundry bag or net.
- ▶ The appliance might get hot during operation, use caution if in close proximity.
- ▶ Unplug the appliance before undertaking maintenance. Hold the plug (not the cable) when unplugging the machine.
- ▶ Ensure there are no undesirable objects inside the drum before starting a cycle.
- ▶ Ensure that the ambient temperature is between 5C and 35C before using the appliance.

**Capacity**

Do not overload the appliance beyond its rated capacity:

- ▶ **MAXIMUM WASH/DRY CAPACITY: 12/9 Kg**
- ▶ Capacity refers to the maximum dry weight of items the appliance can wash/dry at any one time



## **WARNING!**

### **Washer Information**

- ▶ Do not open the detergent dispenser drawer during a cycle.
- ▶ Do not force the door to open. The door is fitted with a self-lock mechanism that will disengage upon cycle completion. In the event of a power failure the door may remain locked, refer to Section 8 of the user guide for instructions on how to open the door.
- ▶ If a high wash temperature is selected, the door glass will become hot. Do not touch the surface and keep children away from the appliance.
- ▶ Do not add petrol, dry-cleaning solvents, perfumes or other flammable or explosive substances to the wash water. These substances give off vapours that could ignite or explode.
- ▶ Do not wash articles that have been previously cleaned in, washed in, soaked in, or spotted with gasoline, dry-cleaning solvents, or other flammable or explosive substances as they give off vapours that could ignite or explode.
- ▶ Do not wash an electric blanket in your washer unless the care label specifically states it is safe to do so.
- ▶ Fabric softeners, or similar products, should be used as specified by the manufacturer instructions.

### **Dryer Information**

- ▶ Ensure all lint filters are cleaned before every load.
- ▶ Do not operate this product without the lint filter in place or allow lint to accumulate in or around the appliance.
- ▶ If the lint filter is damaged, contact your Haier service technician to arrange getting a new filter. Do not operate your appliance with a damaged lint filter or without the filter in place, as this will cause damage to your appliance.

**WARNING!****Dryer Information**

- ▶ If ducting the dryer to the outdoors, ensure adequate ventilation is provided during operation of the appliance to avoid any backflow of gases from fuel burning appliances.



**WARNING: The last stage of the drying cycle is a cool down phase. Never stop a tumble clothes appliance before the end of the cycle unless all items are removed and spread out in order to dissipate the heat.**

- ▶ Do not dry items which are unwashed.
- ▶ Do not dry items which have been cleaned with industrial chemicals.
- ▶ Items that have previously been cleaned in, washed in, soaked in or spotted with flammable liquids or solids, eg petrol/gasoline, kerosene, dry cleaning solvents, vegetable or cooking oil, acetone, denatured alcohol, some brands of spot removers, turpentine, waxes and wax removers or other flammable or explosive substances should not be placed in a tumble dryer.
- ▶ Rubber backed articles, foam rubber (latex foam), clothes or pillows fitted with foam rubber pads, fibreglass, shoes containing rubber, plastic, shower caps, babies waterproof napkin covers and waterproof textiles should not be dried in the dryer. These materials can when heated produce fire by spontaneous combustion.
- ▶ Do not dry an electric blanket or any other electrical items in your dryer, unless the care label specifically states it is safe to do so. Never dry these items at high temperatures.
- ▶ Fabric Softeners or similar products should not be used in a tumble dryer to eliminate the effects of static electricity, unless this practice is specifically recommended by the manufacturer of the fabric softener product.



## **WARNING!**

### **Dryer Information**

- ▶ Oil-affected items can ignite spontaneously, especially when exposed to heat sources such as a tumble appliance. The items become warm causing an oxidation reaction in the oil. This oxidation creates heat. If the heat cannot escape the items can become hot enough to catch fire. Piling, stacking or storing oil-affected items can prevent heat from escaping creating a fire hazard.
- ▶ If it is unavoidable that fabrics that contain vegetable oil, cooking oil or have been contaminated by hair care products be placed in the appliance, they should first be washed in hot water with extra detergent – this will reduce, but not eliminate the fire hazard. The cool down cycle of the appliance should be used to reduce the temperature of these items. They should not be removed from the tumble appliance and piled or stacked while hot.

### **Maintenance, Cleaning and Disposal**

- ▶ Keep the gasket, dispenser and door clean to prevent odours.
- ▶ Do not use water spray or steam to clean the appliance.
- ▶ A damaged electrical cable must be replaced by a Haier service technician or similarly qualified person. Do not use the appliance until it has been repaired to avoid a risk of electric shock.
- ▶ The only user-removable parts of the appliance are Lint Filter, Secondary filter, detergent dispenser, Shoe rack, Atomizer nozzle.
- ▶ When disposing of the appliance, it is recommended that the door is removed to avoid children getting trapped inside, and that the electrical cable is cut off close to the machine.
- ▶ Unless the product is modified by an approved technician, any changes might result in loss of warranty.



## Installation



**WARNING! Electric Shock Hazard Failure to follow this advice may result in electric shock or death.**

- ▶ Ensure that the appliance cable is positioned so that it does not come into contact with water or moisture.
- ▶ The appliance must not be supplied through an external switching device, such as a timer, or connected to a circuit that is regularly switched on and off by a utility.
- ▶ Install the appliance in a well-ventilated, dust-free environment.
- ▶ This appliance must not be installed or operated on a plinth (other than a genuine Haier part, installed per the instructions).
- ▶ We do not recommend the use of extension cords or portable electrical outlet devices.
- ▶ Ensure the installation provides accessibility to the plug or incorporate a switch in the fixed wiring in accordance with the wiring rules to allow disconnection of the appliance from the supply after installation.
- ▶ Review the electrical information on the rating plate before plugging this appliance to make sure the right voltage and current can be supplied.
- ▶ Install the appliance on a solid and level surface ensuring it has 20mm clearance on each side. The appliance must not be installed on any textured floor coverings (eg carpet, rugs).
- ▶ New hose sets provided with the appliance should be used to connect it to the water mains. Old hose sets should not be reused.
- ▶ We recommend to replace the inlet hoses (if any) every 5 years.
- ▶ **WARNING:** Failure to do so may result in a flood and damage to property.
- ▶ Do not expose the appliance to frost, external heat sources or direct sunlight.



## **WARNING!**

### **Installation**

- ▶ Do not install the appliance in a location where the ambient temperature drops below 5°C.
- ▶ Do not install the appliance outdoors or in a damp location.

### **Appliances connected to water mains.**

Water supply requirements:

- ▶ Inlet water pressure: Max. 1MPa (145psi), Min. 50kPa (7.25psi)
- ▶ Inlet water flow rate: Min. 6 litres/minute
- ▶ A pressure-reducing valve must be installed if pressure is higher than 1MPa.
- ▶ For optimum wash performance check the supply pressure is within the recommended range.

### **Intended Use**

- ▶ This appliance is intended for washing/drying garments that can be tumbled.
- ▶ Follow the manufacturer instructions found in the garment label.
- ▶ Do not make any changes or modifications to this appliance, they might cause personal injury and damages to property.

### **Dryer Information**

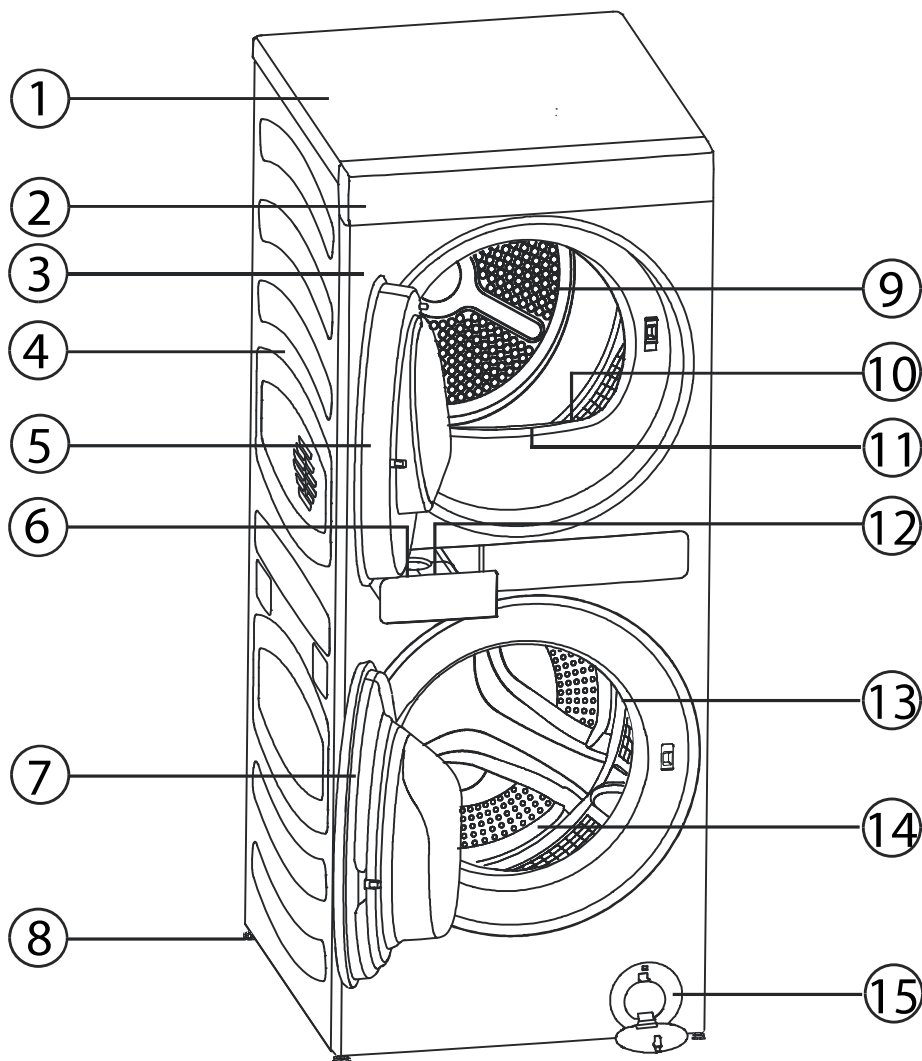
- ▶ Do not install the appliance behind a lockable door, sliding door, or behind a door where the hinge is on the opposite side to that of the dryer in such a way that the full opening of the door is inhibited. Ensure the dryer door can always be opened fully.
- ▶ If installed behind a cabinetry door, it must be hinged on the same side as the dryer with a minimum clearance of 30mm from the dryer handle to the internal surface of the cabinetry door. The cabinetry door must remain open while the machine is running.
- ▶ Exhaust air must not be discharged into a flue which is used for exhausting fumes from appliances burning gas or other fuels.

**i Note:**

Due to technical changes and different models, the illustrations in the following chapters may differ from your model.

## 2.1 Picture of appliance

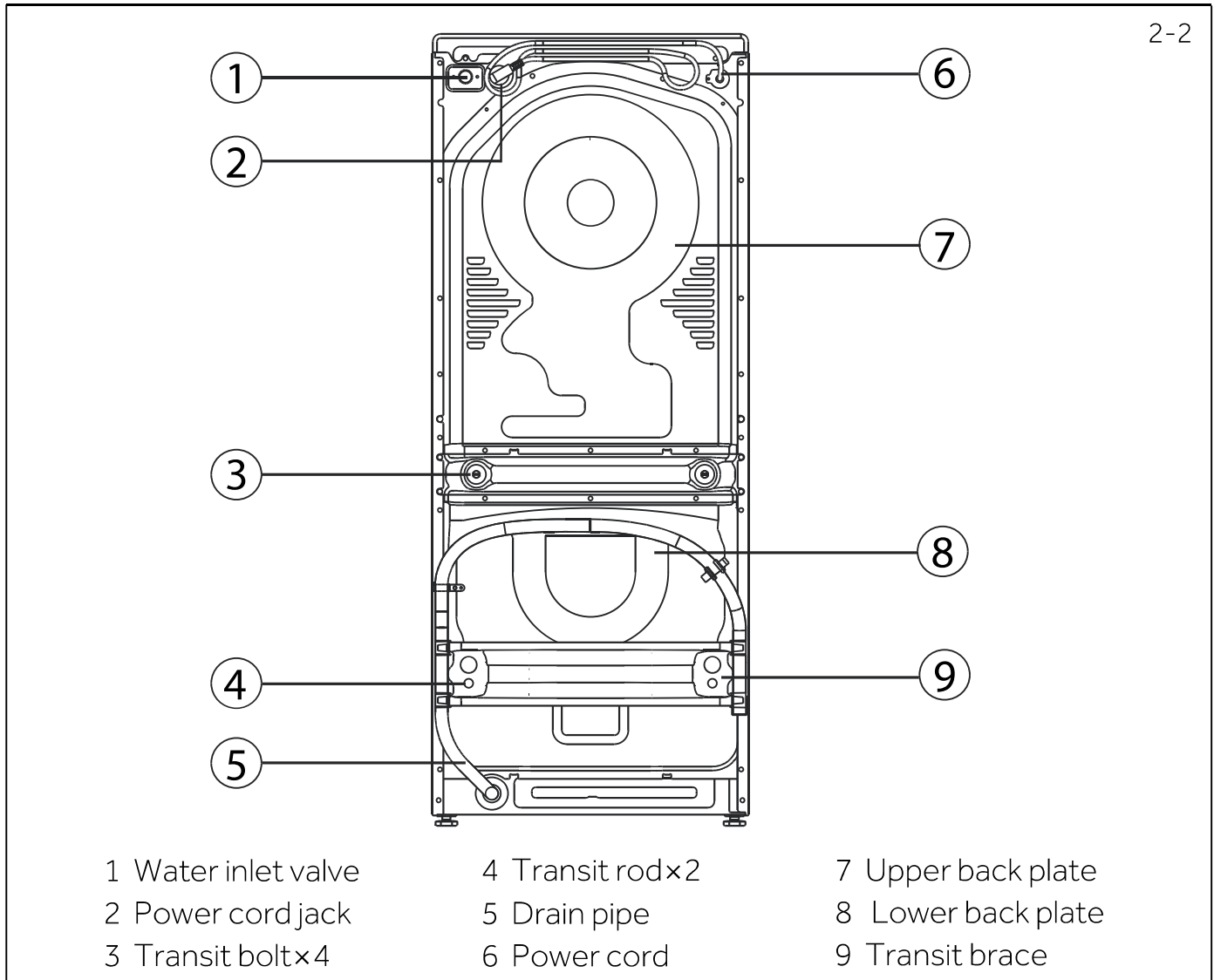
Front (Fig. 2-1):



2-1

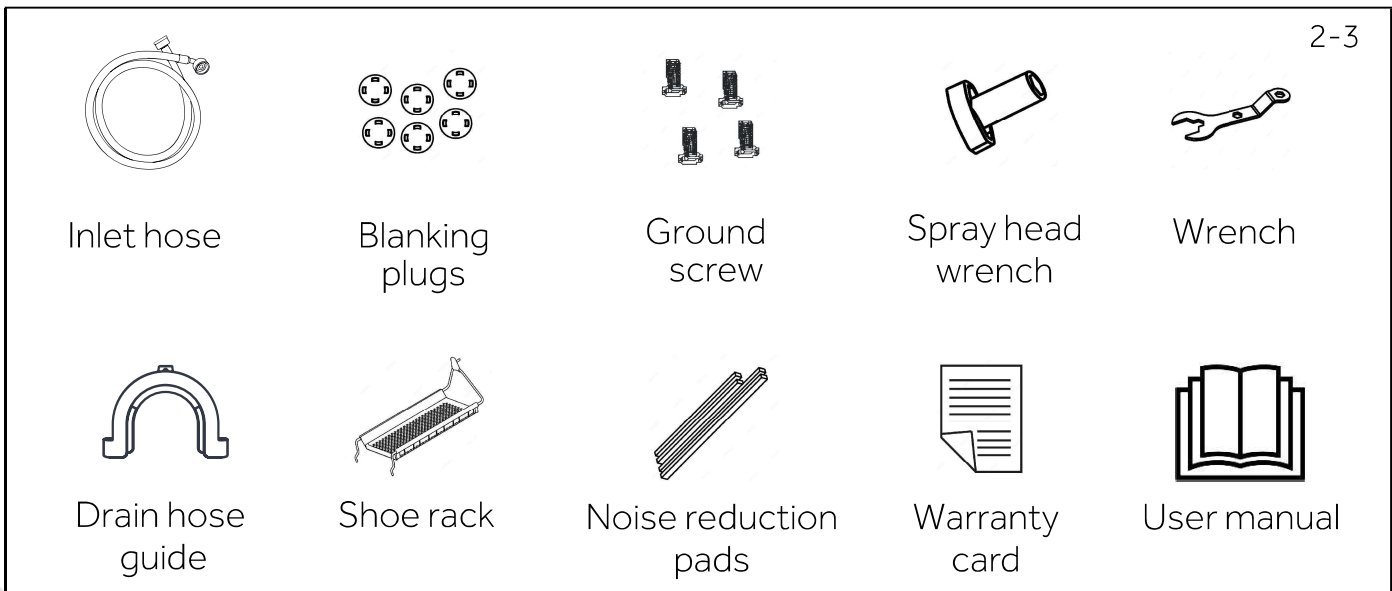
- |                         |                                |
|-------------------------|--------------------------------|
| 1 Countertop            | 9 Upper drum opening           |
| 2 Display control panel | 10 Upper Drum Lint Filter      |
| 3 Front plate           | 11 Upper drum secondary filter |
| 4 Lateral plate         | 12 Detergent dispenser         |
| 5 Upper drum door       | 13 Lower drum gasket           |
| 6 Softener Dispenser    | 14 Lower drum opening          |
| 7 Lower drum door       | 15 Drain filter door           |
| 8 Adjustable Feet x4    |                                |

Rear side (Fig. 2-2):



## 2.2 Accessories

Check the accessories and literature in accordance with this list (Fig. 2-3):



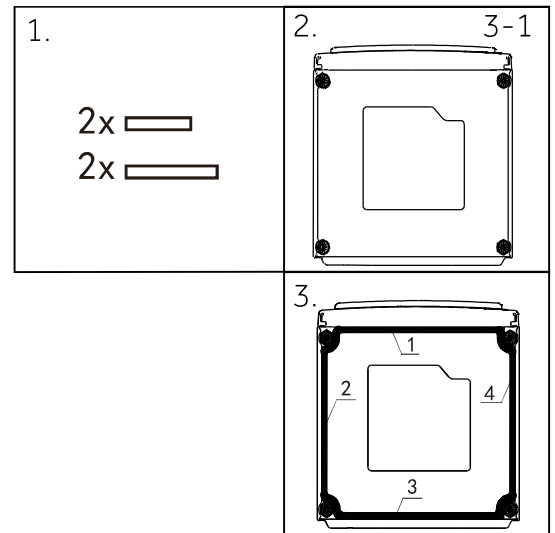
## 3.1 Unpacking

Your washer is heavy. We recommend two people to remove the packaging.

1. Remove the outer packaging including the polystyrene packer and plastic wrapping.
2. Lift the washer off the base.
3. Remove all packaging and accessories from inside the drum.
4. Dispose of all packaging sustainably, ensuring these materials are kept out of the reach of children.

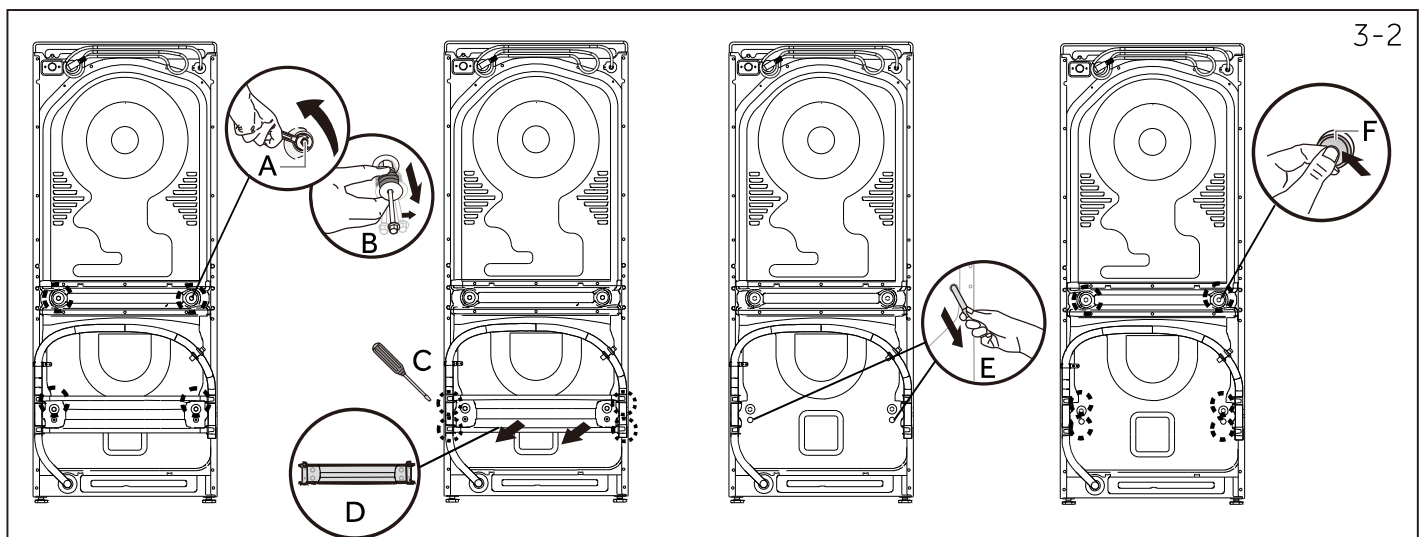
## 3.2 OPTIONAL: Install noise reduction pads

1. When opening the shrink package, you will find four noise reduction pads. These are used for reducing noise (Fig. 3-1).
2. Lay the washing machine down to its side, porthole pointing upwards, bottom side towards operator.
3. Take out the noise reduction pads and remove the double-sided adhesive protective film; paste around the bottom; the noise reduction pads under the washing machine cabinet as shown in Figure 3 (two longer pads in position 1 and 3, two shorter pads in position 2 and 4). Finally set the machine upright again.



## 3.3 Removing Transit Safety Bolts

1. Use a spanner or socket to unscrew and remove all 4 transit bolts at the back of the washer (refer to A). Pull the black rubber grommets to remove the bolt, grommet and white plastic spacers from the machine (refer to B).
2. Remove the 4 transit brace screws from the left and right sides (refer to C). Remove the braces (refer to D).
3. Remove (pull out) the two transit rods located below the two lower transit bolt holes (refer to E).
4. Cover the transit bolt holes with the plastic plugs (provided). Push to clip into place (refer to F).





## Note: Keep in safe place

Keep all the parts for later use. If the appliance needs to move location, reinstall the braces, rods and bolts in reverse order .

### 3.4 Leveling the appliance

Before positioning your washer in its final position, allowing for required clearances, check that it is level (Fig. 3-3) .

#### Level the washer side to side:

Place the level on the centre front of the washer. If you need to adjust the washer's position, loosen the lock nut using the s panner provided and turn the feet up or down until level. To wind the feet up turn clockwise, to wind the feet down turn counter-clockwise.

#### Level the washer front to back:

Place the level on the left side, in line with the centre of the washer. Adjust the front left foot and then the right foot until the washer is level.

There should be equal weight on both front feet.

Recheck the washer is level, front to back and side to side.

Repeat the above steps if required.

#### Using the spanner provided, tighten the lock nuts against the base of the washer to lock the feet in position.

Move and centre the washer back into its final position using adjacent walls as a guide.

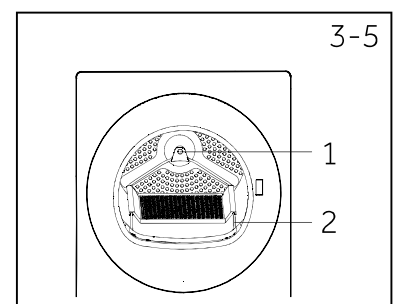
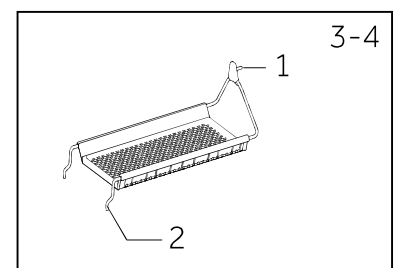
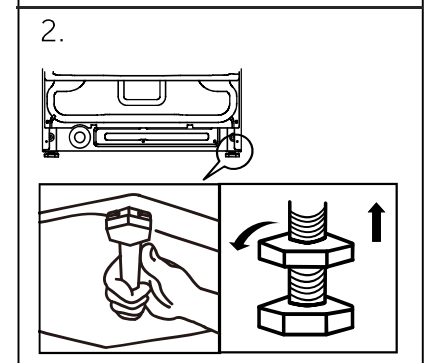
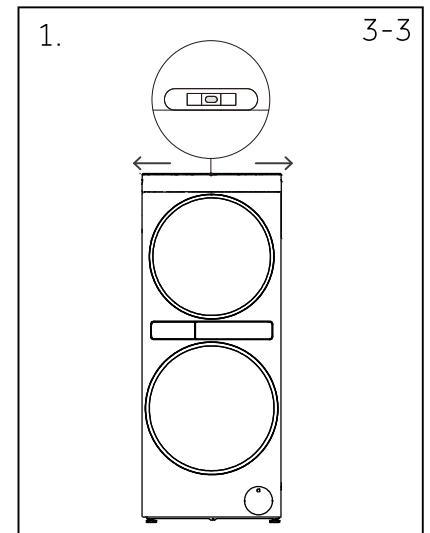
### 3.5 Install drying support (if required)

The drying bracket (Fig. 3-4) is mainly used to dry shoes and some clothes that are not suitable for turning in the dryer to reduce the damage to shoes and specific clothes.

#### Method of mounting bracket:

1. Insert the support column at the front end of the drying support (1) into the hole in the rear center cover of the upper dryer tube.

2. Then insert the two support columns at the back of the drying support (2) into the two holes on both sides of the wire chip filter(Fig. 3-5) .



### 3.6 Connect to water supply

#### Water supply requirements

If you have an uncontrolled water heating source (eg a wet back or solar heating system), you should fit a tempering valve. This will ensure the hot water temperature remains within safe limits. Contact your registered plumber to select and install the tempering valve.

Your cold water should not exceed 35°C and your hot water should not exceed 65°C. Temperatures above these may cause the washer to fault or cause damage to the washer.

Inlet water static pressure:

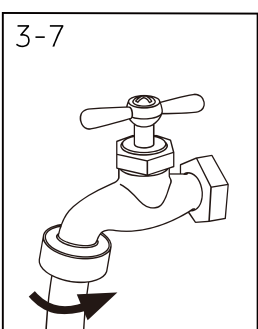
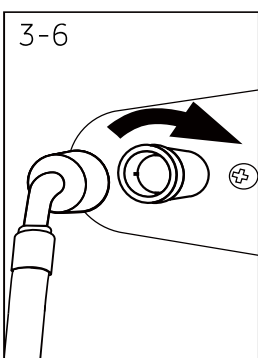
Max. 1MPa (145psi); Min. 50KPa (7.25psi).

Inlet water flow rate at tap: Min. 6 litres/min.

#### Cold supply only

For models HLC1290CTB1, if you only have a cold water supply, you must connect the inlet valve cap (blanking cap) provided with your washer to the hot inlet valve. The cap prevents water leaking out of the hot valve. This appliance incorporates backflow protection complying with AS3500.1/IEC61770. No further backflow protection is required for connection to the water supply.

Your washer has an internal heater to heat water. If you do not connect a hot water inlet hose, your washer will automatically recognise there is no hot water supply and its internal heater will heat the cold water to the selected cycle temperature.



### 3.7 Connect to inlet hose

1. Connect the straight ends of the inlet hose(s) to the tap(s)  
There are washers fitted in both ends.
2. Connect the elbow ends to the corresponding washer inlet valves (Fig.3-6). If present, the hot valve is coloured orange to make this easier.
3. Tighten the inlet hose(s) ends by hand until the hose seal just makes contact with the tap-sealing face (Fig.3-7). Continue to tighten a further half-turn.
4. Make sure there are no kinks in the hose(s).
5. Turn the tap(s) on and check for leaks. Check for leaks again after 24 hours.

## 3.8 Drain hose

In multi-storey apartments or any upper floor, the washer should be installed on a floor equipped with a drain. Draining must comply with local by-laws.

### Place the drain hose in a tub or standpipe

The hose guide is used to hold the drain hose over the tub or standpipe (Fig.3-8).

1. Flex the guide apart and pull the hose through the guide.
2. Ensure a maximum of 20mm of the hose is left exposed at the end.
3. Secure the hose guide to prevent it dislodging from the standpipe or tub.

If the drain hose is placed on the ground or if the tub or standpipe is less than 800mm high, the washer will continuously drain (siphon) while being filled.

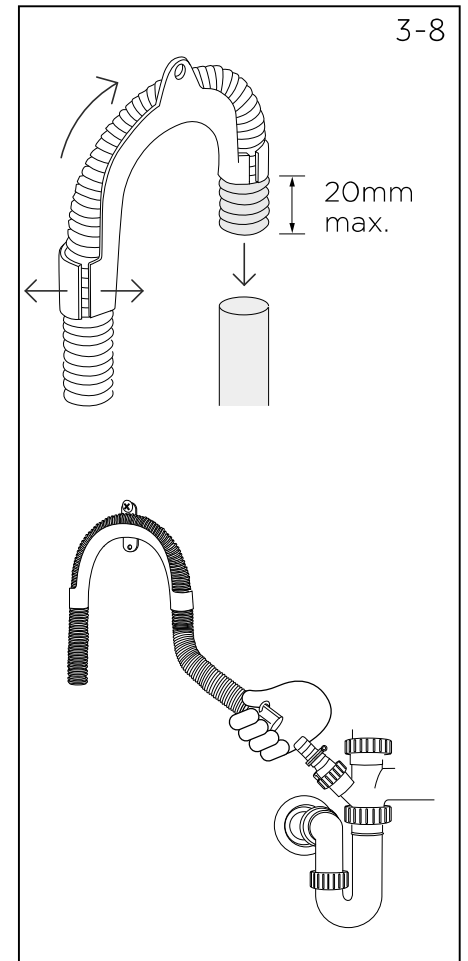
Tub or standpipe height should be a minimum of 800mm and maximum of 1000mm.

Regularly check that your tub or standpipe is free from lint or other obstructions. This may affect operation or cause flooding.

### Attach drain hose to spigot







The hose guide is used to hold the drain hose high enough to prevent continuous draining (siphoning).

1. Flex the guide apart and pull the hose through the guide.
2. Secure the hose guide to a wall or the back wall of the cupboard using a screw.
3. Drill out the blanking insert from spigot to ensure the washer can drain correctly.
4. Attach drain hose to spigot and secure using a hose clamp.
5. Check for leaks.





### 3.9 Complete your installation

1. Press  to activate your washer.
2. Select a **Express15** cycle. Ensure the drum is empty and the door closed.
3. Press  to start. The washer will start to fill.
4. Wait until you see water in the bottom of the drum.
5. Press  to stop the cycle, then press  to turn the washer off.
6. Press  again, select the **Rinse & Spin** cycle and touch . Check the drain hose is firmly secured to the standpipe or tub, or spigot. Observe that the washer pumps out the water, and spins. The washer will beep to signal the end of the cycle. Any faults will be displayed on the screen, refer to Fault codes!

### 3.10 Final Checklist

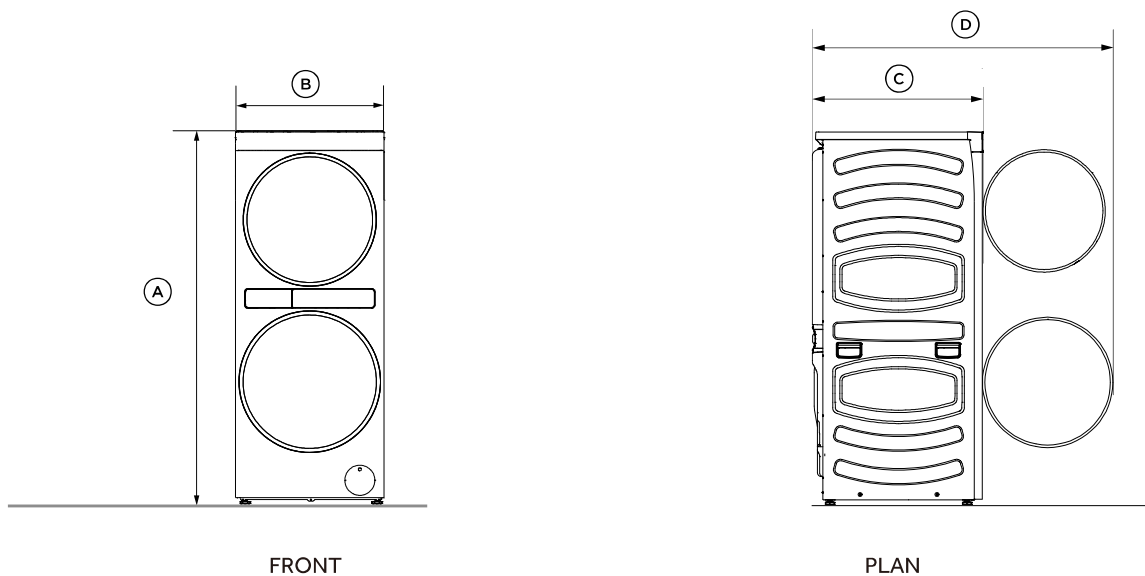
**Check you have done everything you need to before you start your first wash:**

- Have the packaging and transit bolts been removed?
- Is the washer correctly levelled, feet are extended and cabinet corners are clear of the floor?
- Is the drain hose threaded through the hose guide 'U bend' (with no more than 20mm extended) and hooked into your standpipe or tub, or attached to a spigot?
- Have the taps been turned on?
- Is the hot hose connected to the hot valve marked 'H' ?
- Is the cold hose connected to the cold valve marked 'C' ?
- Have you performed the test cycle? Refer to 'Complete your installation' section above.
- Has the power cord been connected to an appropriate power supply and the power turned on?
- Complete your first cycle with a half-load amount of detergent and without a load in order to remove any residues remaining in the washer from the manufacturing process.

## 4.1 Additional technical data

	HLC1290CTB1
Amps (maximum)	10A
Volts (V)	220 -240V
HZ	50HZ
Rated Power (W)	2000

## 4.2 Product dimensions

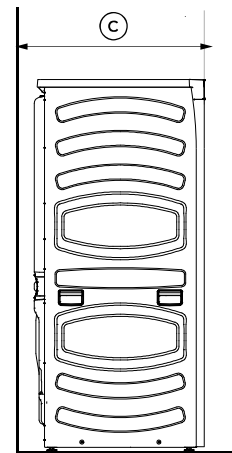
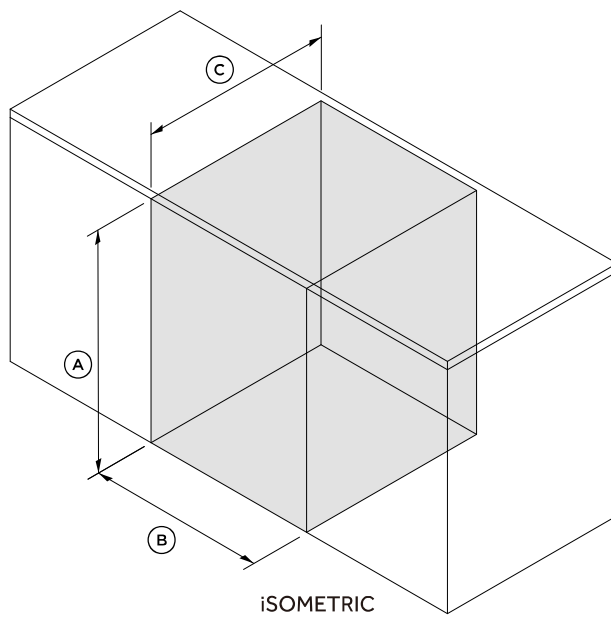


PRODUCT DIMENSIONS	MM
Ⓐ Overall height*	1500
Ⓑ Overall width	600
Ⓒ Overall depth**	685
Ⓓ Depth of open door	1180
Standpipe height min.	600

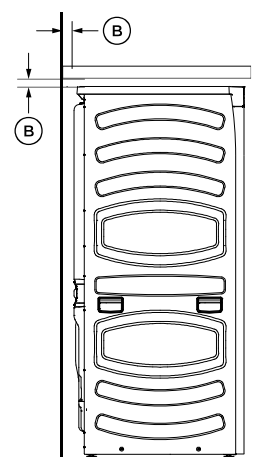
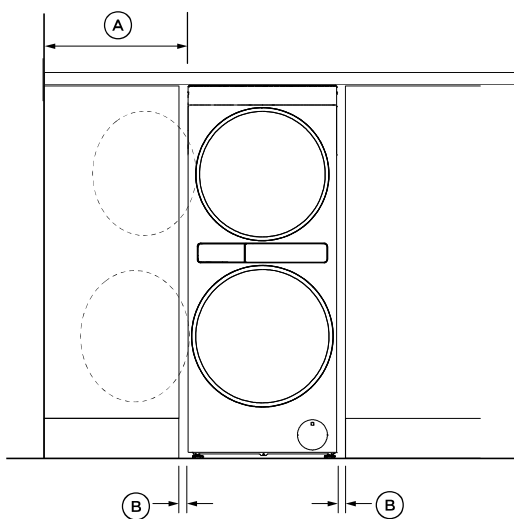
\*Exact height is dependent on foot adjustment

\*\*Including dial and door (when closed)

## 4.3 Cavity and clearance dimensions



CAVITY DIMENSIONS		MM
(A)	Minimum cavity height	1520
(B)	Minimum cavity width	640
(C)	Minimum cavity depth	
	• Flush with front panel of the product*	710
	• In cupboard	745



CLEARANCE DIMENSIONS		MM
(A)	Minimum washer door clearance to adjacent wall	135
(B)	Minimum gap clearance to adjacent product or cabinetry*	20

\*Applies to sides, top and rear



- 1 "Power" button
- 2 Functions
- 3 Cycles
- 4 Selectable options and modifiers
- 5 Other settings
- 6 Start/Pause

## 5.1 "Power" Button

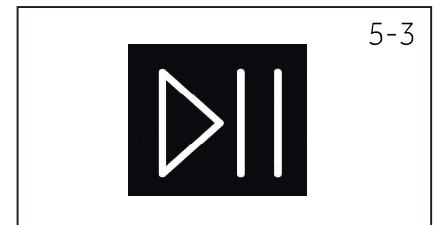
Press the Power button (Fig.5-2) to turn ON and OFF the product. When On the display illuminates the default cycle and options; in dim light the displays shows possible modifiers and selectable options.

To provision the product for WiFi connection: Press and hold the Power button for five seconds until the "APP" is displayed on the screen. Follow the instructions in the App to get your appliance connected.



## 5.2 "Start/Pause" Button

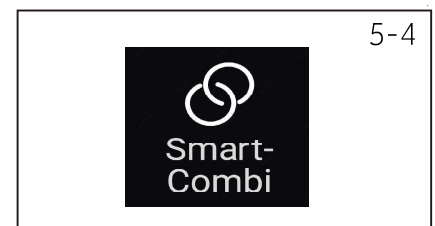
Press the Start/Pause (Fig. 5-3) to start or interrupt the selected program.



## 5.3 "Smart-Combi" Button

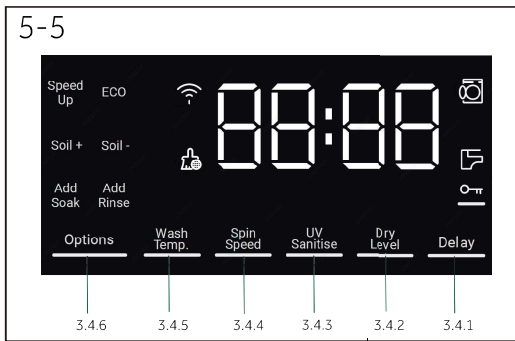
Use the Smart-Combi function to preheat the dryer drum and remove the need for separate programming. When the desired wash cycle is selected, press the "Smart-Combi" button (Fig. 5-4) to turn on the feature before starting the cycle. The cycle selected will be automatically selected for

the dry function and the upper dryer drum will preheat during the last 15 minutes of the wash cycle. When your washing has finished, load your garments into the dryer drum, press the "Dry" function, and "Start". Smart Combi is available for the following cycles: Cotton, Mixed, Synthetic, Delicate, Shirts, Wool Care, Bulky, Towels, Bedding, Care +.



### Note:

- ▶ Check that the upper dryer drum is empty before enabling the Combi Modifier feature.
- ▶ If the dryer door is opened at any stage during the wash cycle or a different dry cycle selected, the Combi Modifier feature will be turned off.

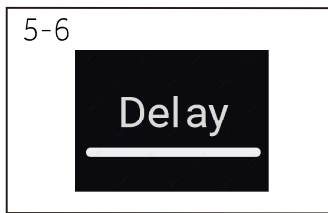


## 5.4 Selectable options and modifiers

The display (Fig. 5-5) will show important information about cycle: Options and modifiers, remaining time, error codes and service information, warnings and notifications.

Selectable options: Your appliance's cycles have specific default settings that have been designed to

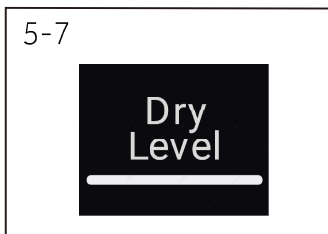
deliver good performance results. However, this appliance offers a series of buttons (Fig. 5-5) that enable the cycle modifiers and additional selectable options for each cycle. When a cycle is selected, the default options are predetermined and the options will appear dim in the display. If a modifier or selectable options has more than one possible value, toggle through the options by pressing the button sequentially until the preferred selection is illuminated or displayed on the screen.



### 5.4.1 "Delay" Button

Set a delay time for the cycle to start. Avoid using this function (Fig. 5-6) for damp, non-colourfast items as this may cause dye run to occur.

The Delay function is available for all cycles.



### 5.4.2 "Dry Level" Button

Press the Dry Level button (Fig. 5-7) to change the end dry level of the program.

H1: Damp/Dry - This setting is recommended for garments that will be finished with an iron treatment.

H2: Dry - This setting is recommended for the majority of garments; garments can be worn after drying.

H3: Extra Dry - Use this setting for large, bulky and durable items.



### 5.4.3 "UV Sanitise" Button

Use UV Sanitise (Fig. 5-8) to turn ON and OFF the ultraviolet treatment during wash and rinses.

The use of UV Sanitise will reduce germs and microorganisms in the water providing a cleaner and aseptic wash.

Available for the following cycles: Cotton, Mixed, Synthetic, Delicate, Express 15, Rinse & Spin, Drum clean, Shirts, Wool Care, Bulky, Towels, Bedding, Care + .

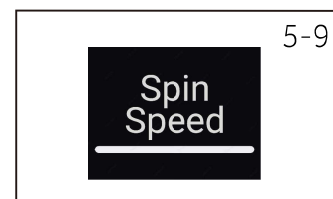
## 5.4.4 "Spin Speed" Button

Press the Spin Speed button (Fig. 5-9) to change the spin at which the appliance will spin the clothes.

Lower spin speeds will leave the clothes wetter, which might increase the drying times.

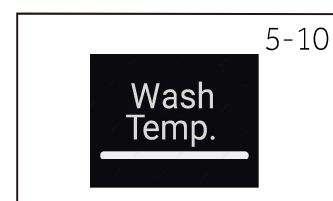
Faster spin speeds might increase wrinkles in the clothes.

The available Spin Speeds are: 0, 400, 800, 1000, 1200, 1400.



## 5.4.5 "Wash Temp" Button

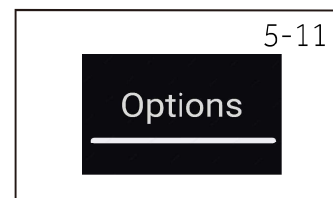
Press "Wash Temp" button (Fig. 5-10) to toggle and select the desired wash temperature. If no value is illuminated (the display "--°C") the water will not be heated.



## 5.4.6 "Options" Button

Touch this button (Fig. 5-11) to choose cycle modifiers.

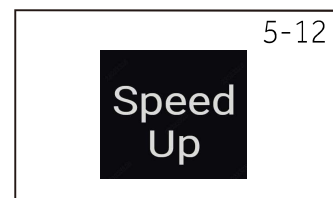
The symbols are explained as follow:



### 5.4.6.1 Speed Up

Use "Speed Up" (Fig. 5-12) to reduce washing time. We recommend to use for small loads of light soiled items in order to the performance to not be compromised.

Available for the following cycles: Cotton, Mixed, Synthetic, Delicate, Shirts, Wool Care, Bulky, Towels, Bedding, Care + .



### 5.4.6.2 ECO

Use "ECO" (Fig. 5-13) to reduce energy consumption by setting a cold wash temperature, 1 rinse and 1200 spin speed.

Available for the following cycles: Cotton, Mixed, Synthetic, Delicate, Shirts, Wool Care, Bulky, Towels, Bedding, Care + .

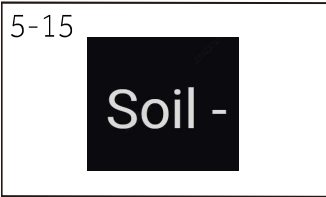


### 5.4.6.3 Soil +

Use "Soil +" (Fig. 5-14) to modify the cycle settings to increase wash time and detergent for heavily soiled loads.

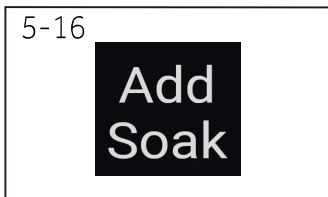
Available for the following cycles: Cotton, Mixed, Synthetic, Shirts, Bulky, Towels, Bedding, Care + .





#### 5.4.6.4 Soil -

Use "Soil -" (Fig. 5-15) to modify the cycle settings to decrease wash time and detergent for lightly soiled loads. Available for the following cycles: Cotton, Mixed, Synthetic, Delicate, Shirts, Wool Care, Bulky, Towels, Bedding, Care + .



#### 5.4.6.5 "Add Soak" Button

Use "Add Soak" (Fig. 5-16) to add a deep cleaning 60min soak time during the wash. We recommend to use this option when using a pretreatment product to enhance the wash performance. Available for the following cycles: Cotton, Mixed, Synthetic, Delicate, Shirts, Wool Care, Bulky, Towels, Bedding, Care + .



#### 5.4.6.6 "Add Rinse" Button

Use "Add Rinse" (Fig. 5-17) to increase the number of rinses with fresh water after the wash. Additional rinses are recommended for people with sensitive skin to remove all detergent residue from the load. Available for the following cycles: Cotton, Mixed, Synthetic, Delicate, Shirts, Wool Care, Bulky, Towels, Bedding, Care + .



#### 5.4.7 "Key lock" Button

Use "Key Lock" to disable the buttons on the display panel. Key Lock can be used at any time including while a cycle is running. When locked, the controls will be unresponsive except the Start/Pause button and the Power button.

To select, press  (Fig. 5-18). The Key Lock icon will turn ON and the display will show " cLk " to indicate the selection.

### 5.4.8 Display Icons



The Wifi icon is displayed when the product is connected.



The Lint filter icon will display as a reminder to clean the upper dryer drum lint filter and secondary lint filter. It will remain on when upper drum is operating.



The Door Open icon will light up if the lower washer drum door is not closed properly.



The Water Connection icon will light up if the product is not receiving any water.

## 5.5 Functions button

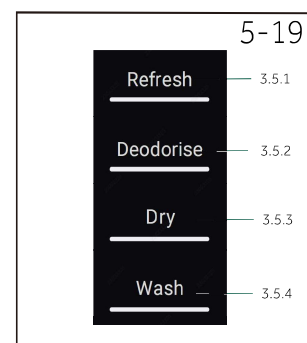
Your appliance has four primary functions:

Wash, Dry, Deodorise and Refresh (Fig. 5-19).

The Dry, Deodorise and Refresh functions use the upper dryer drum, and the Wash function use the lower washer drum.

The upper and lower drums can work independently.

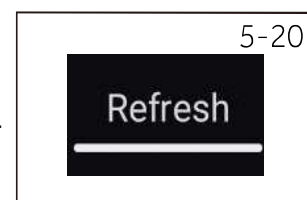
The functions are explained as follows:



### 5.5.1 "Refresh" Button

Press "Refresh" button (Fig. 5-20) to select this primary function.

Use "Refresh" to revive garments with Ultrasonic steam.



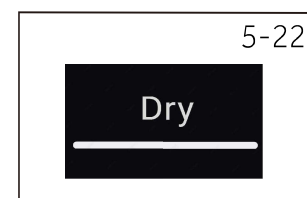
### 5.5.2 "Deodorise" Button

Press "Deodorise" button (Fig. 5-21) to select this primary function. Use "Deodorise" to reduce odour from garments with Ultrasonic steam.



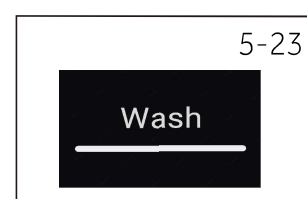
### 5.5.3 "Dry" Button

Press "Dry" button (Fig. 5-22) to select this primary function.



### 5.5.4 "Wash" Button

Press "Wash" button (Fig. 5-23) to select this primary function.







## 5.6 Cycle selector

The cycle selection area displays the available cycles for the chosen function.

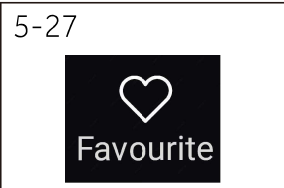
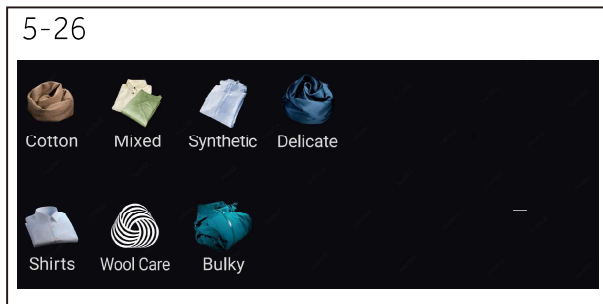
Wash (Fig. 5-24), Dry (Fig. 5-25), Deodorise (Fig. 5-26), Refresh (Fig. Fig. 5-26).



## 5.7 "Favourite" Button ♥

Use "Favourite" button (Fig.5-27) to save personalised options for available cycles. Press the "Favourite" button – the "heart" for 3 seconds. The LED flashes 3 times and the machine beeps.

Then the "heart" LED stays illuminated indicating that the favourites configuration has been saved. The next time the user selects that cycle, the Favourite LED turns ON for the duration of the cycle to indicate cycle is not running its default configuration.

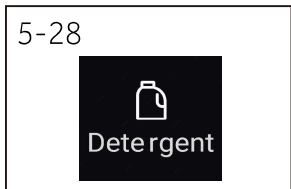


## 5.8 Auto Dose

The Auto Dose Detergent button (Fig. 5-28) turns ON and OFF the auto dose function for liquid detergent.

When the level of detergent in the reservoir is low and not enough to complete a cycle, the button will flash and the product will beep when the appliance is turned ON. The Sound turns OFF when any key is pressed.

By default, the appliance will dispense a certain amount of detergent based on weight and load type, however, there are additional levels to change the amount dispensed. This enables a personalized experience according to the laundry needs.



For lightly soiled clothes, use level "L-1" or level "L-2" and for heavily soiled clothes we recommend setting the washer to level "L-4".

Similarly, for sensitive skin, we recommend using the lower setting "L-1", to minimize possible residual detergent in the clothes.

To change the auto dose detergent setting: Press the Detergent button for 3s to enter the program setting mode. Press the "Detergent" button to toggle through the dosage options: L1/L2/L3/L4 shown on the screen. Press any other button to save the selection and exit the mode.

The Softener button (Fig. 5-29) turns ON and OFF the auto dose function for liquid softener.

When the level of softener in the reservoir is low and not enough to complete a cycle, the button will flash and the product will beep when the appliance is turned ON. The Sound turns OFF when any key is pressed.

By default, the appliance will dispense a certain amount of softener based on weight and load type.



Your appliance can be connected to your home wireless network and operated remotely using the app.

## Getting started

Ensure your home Wi-Fi network is turned on.

You will be given step by step guidance on both your appliance and mobile device.

It may take up to 10 minutes to connect your appliance.

## On your mobile device:

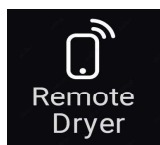
1. Your product is Wi-Fi connectable. Please visit the webpage below to download the app and find out more:  
Australia <https://www.haier.com.au/smart>  
New Zealand <https://www.haier.co.nz/smart>
2. Register and create an account.
3. Add your appliance and set up the Wi-Fi connection

## Connect to your home Wi-Fi

To provision the product for WiFi connection: Press and hold the Power button for five seconds until the "APP" is displayed on the screen. Follow the instructions in the App to get your appliance connected.

When your machine is connected to Wi-Fi successfully, the icon  lights up.

6-1



## Remote Dry Mode

Press "Remote Dryer " button (Fig.6-1) to turn ON and Off the Remote Mode Dryer function. When the Remote Mode Dryer is ON the appliance upper dryer drum can be controlled by the Smart HQ App for your convenience. Not all functions will be available through the App. Note: If the dryer door is opened at any stage after enabling the function the Remote Mode Dryer feature will be turned off.

## Remote Wash Mode

Press "Remote Washer " button (Fig.6-2) to turn ON and Off the Remote Mode Washer function.

When the Remote Mode Washer is ON the appliance lower washer drum can be controlled by the Smart HQ App for your convenience. Not all functions will be available through the App.

During Remote operation, the washer door will be locked. At the end of the cycle , the Remote Mode will be automatically turned OFF to release the door lock.



## Wash Cycles

Cycle	Designed for	Max. load washing in kg	Wash temperature in °C	Spin speed in rpm
Cotton	Normally soiled garments made of cotton fabrics.	12	-,30,40,60,90	0,400,800,1000,1200, <b>1400</b>
Mixed	Loads with different types of clothes and fabrics, with normal soil.	12	-,30,40, <b>60</b> ,90	0,400,800,1000,1200, <b>1400</b>
Synthetics	Garments made with synthetic fabrics or synthetic blends.	12	-, <b>30</b> ,40,60	0,400,800, <b>1000</b> ,1200
Delicate	Gentle wash for delicate garments with light to normal soil.	1	-, <b>30</b>	0,400, <b>800</b>
Express 15	Fast cycle to clean small loads of lightly soiled garments.	1	/	0,400,800, <b>1000</b> ,1200,1400
Rinse & Spin	Use for items that need to be rinsed and spun.	8	/	400,800,1000,1200, <b>1400</b>
Drum Clean	Extra hot program to clean the washer.	/	/	/
Shirts	Machine-washable shirts made of Cotton or Cotton blends.	3	-, <b>30</b> ,40,60,90	0,400,800, <b>1000</b>
Wool Care	Machine-washable wool garments.	1	-,30, <b>40</b>	0,400, <b>800</b>
Bulky	Normally soiled bulky items such as jackets.	5.5	-, <b>30</b> ,40,60,90	0,400,800,1000, <b>1200</b> ,1400
Towels	Warm wash designed to clean towels.	/	-,30,40, <b>60</b> ,90	0,400,800,1000,1200, <b>1400</b>
Bedding	Warm wash designed to clean bed sheets.	5.5	-,30,40, <b>60</b> ,90	0,400,800,1000,1200, <b>1400</b>
Care +	Warm wash designed to clean normal to heavily soiled durable fabrics made of Cotton or synthetic blends. *Default Care + Cycle*	5	-,30,40, <b>60</b> ,90	0,400,800,1000,1200, <b>1400</b>

## Washer Registration Cycle

The warm wash performance cycle (Cotton, 40°C, 1400rpm, Detergent: off, Softener: Off, others are default setting) is the recommended cycle for a normally soiled load equal to the rated load capacity (12kg).

**General information and tips:**

Standard programme for the Energy and Water Labelling according to AS/NZS 2040.2

Select mode Wash, Cotton, 40°C, 1400rpm, Detergent: off, Softener: off, others are default setting.

The detergent is added as 80% dry powder, put directly into the bottom of the drum, then add the maximum amount of anti-foaming agent into the bottom of the drum, and then add the PBIS solution to the bottom of the drum, place the standard load, and start the performance program.

## Dry Cycles

Cycle	Default dry level	Designed for	Max. load drying, in kg
Cotton	H-2	Autosensing cycle for garments made of cotton fabrics.	9
Mixed	H-2	Autosensing cycle for loads with different types of clothes and fabrics.	9
Synthetic	H-2	Autosensing cycle for garments made with synthetic fabrics or synthetic blends.	9
Delicate	H-2	Gentle autosensing cycle for delicate garments.	1
Shirts	H-2	Autosensing cycle for shirts that can be tumbled dry.	3
Wool Care	/	Timed cycle to use with the drying rack for woollen items that cannot be tumbled.	1 item
Bulky	H-2	Autosensing cycle to dry bulky items such as jackets.	5.5
Towels	H-2	Autosensing cycle designed to dry thick, durable and absorbent items such as towels.	5
Bedding	H-2	Autosensing cycle with a reverse pattern designed to dry bed sheets.	5.5
Care+	H-2	Autosensing cycle designed to dry durable fabrics made of Cotton or synthetic blends. *Default Care + Cycle*	3
Time Dry	/	Timed cycle that uses hot air to dry garments.	/

\*DEFAULT DRY LEVEL : H-3-Extra dry ; H-2-Dry ; H-1-Damp

Dryer Registration Cycle

Cotton, H-2 is the recommended energy saving cycle for everyday drying.

Check the energy label for energy consumption information.

The actual energy consumption may differ from the declared one according to local conditions.

Actual water temperature may differ from declared cycle temperature.



### Note: Auto Weight

The appliance is equipped with a loading recognition. At low loading, energy, water and washing time will be reduced automatically in some programmes. The display shows "AU LG".

### Woolmark Wool Care

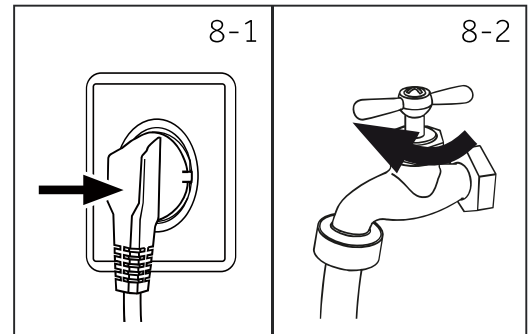
The wool wash cycle of this machine has been tested and approved by The Woolmark Company for the washing of machine washable wool products provided that the products are washed according to the instructions on the garment label and those issued by the manufacturer of this washing machine M1766.



The wool drying cycle of this machine has been tested and approved by The Woolmark Company for the drying of machine washable wool products provided that the products are washed and dried according to the instructions on the garment label and those issued by the manufacturer of this machine M2406.

## 8.1 Power supply

Connect the washing machine to a power supply (220V to 240V~/50Hz; Fig.8-1 ). Please refer also to section Installation.



## 8.2 Water connection

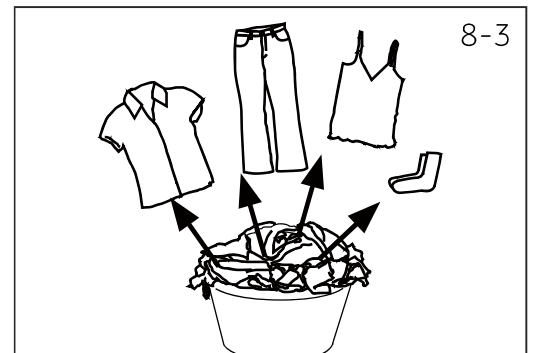
- ▶ Before connecting check the cleanliness and clarity of the water inlet.
- ▶ Turn on the tap (Fig.8-2).

### **i** Note: Tightness

Before use check for leakage in the joints between the tap and the inlet hose by turning on the tap.

## 8.3 Wash Preparation

- ▶ Sort out clothes according to fabric (cotton, synthetics, wool or silk etc.) and how dirty they are (Fig.8-3). Pay attention to the care labelling of washing labels.
- ▶ Separate white clothes from coloured ones. Wash coloured textiles first by hand to check if they fade or run.
- ▶ Empty pockets (keys, coins, etc.) and remove harder decorative objects (e.g. brooches) as well as flammable objects (paper tissues, lighters, matches etc.).
- ▶ Garments without hems, delicates and finely woven textile such as fine curtains are to be put into a wash bag to care for this delicate laundry (hand or dry cleaning would be better).
- ▶ Close zippers, velcro fastener and hooks, make sure the buttons are sewn on tightly.
- ▶ Place sensitive items like laundry without firm hem, delicate underwear (Dessous) and small items such as socks, belts, bras, etc. in a wash bag.
- ▶ Unfold large pieces of fabric such as bed sheets, bedspreads etc.
- ▶ Turn jeans and printed, decorated or color-intensive textiles inside out; possibly wash separately.





## Care chart

Washing		
 Washable up to 95°C normal process	 Washable up to 60°C normal process	 Washable up to 60°C mild process
 Washable up to 40°C normal process	 Washable up to 40°C mild process	 Washable up to 40°C very mild process
 Washable up to 30°C normal process	 Washable up to 30°C mild process	 Washable up to 30°C very mild process
 Wash by hand max. 40°C	 Do not wash	
Bleaching		
 Any bleaching allowed	 Only oxygen/non-chlorine	 Do not bleach
Drying		
 Tumble drying possible normal temperature	 Tumble drying possible lower temperature	 Do not tumble dry
 Line drying	 Flat drying	
Ironing		
 Iron at a maximum temperature up to 200 °C	 Iron at a medial temperature up to 150°C	 Iron at a low temperature up to 110°C; without steam (steam ironing may cause irreversible damage)
 Do not iron		
Professional Textile Care		
 Dry cleaning in tetrachloroethene	 Dry cleaning in hydrocarbons	 Do not dry clean
 Professional wet clean	 Do not professional wet clean	

## 8.4 Loading the Lower washer drum

- ▶ Put in the laundry piece by piece.
- ▶ Don't overload. Note the different maximum load according to programmes! Rule of thumb for maximum load: Keep six inches between load and drum top.
- ▶ Close the door carefully. Make sure that no pieces of laundry are pinched.



### CAUTION!

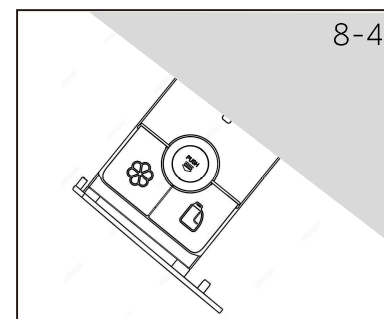
Non-textile, as well as small, loose or sharp-edged items may cause malfunctions and damage of clothes and appliance.

## 8.5 Selecting detergent

- ▶ Washing efficiency and performance is determined by used detergent quality.
- ▶ Use only machine wash approved detergent.
- ▶ If needed use specific detergents, e.g. for synthetic and woolen fabric.
- ▶ See tips for countertop detergent stickers.
- ▶ Do not use dry cleaning agents such as trichloroethylene and similar products.

## 8.6 Add detergent

1. Slide out the detergent drawer.
2. Put the detergents and softeners into corresponding compartments (Fig. 8-4),
3. Push back the drawer gently.



### Note:

- ▶ Do not overuse detergent or softener.
- ▶ Please follow the instruction on the detergent package.
- ▶ Always fill the detergent just before the beginning of the wash cycle.
- ▶ Concentrated liquid detergent should be diluted before adding.
- ▶ Carefully choose the programme settings according to the care symbols on all laundry labels and according to the programme table

### **i** Note: First Wash

It is recommended before using the product to run a Cotton cycle with 90° C wash temp and 600 rpm spin speed without any load to reduce odors.

## 8.7 Ending a Wash cycle

When a wash cycle has finished it is recommended to remove the load as soon as possible to prevent additional wrinkling.

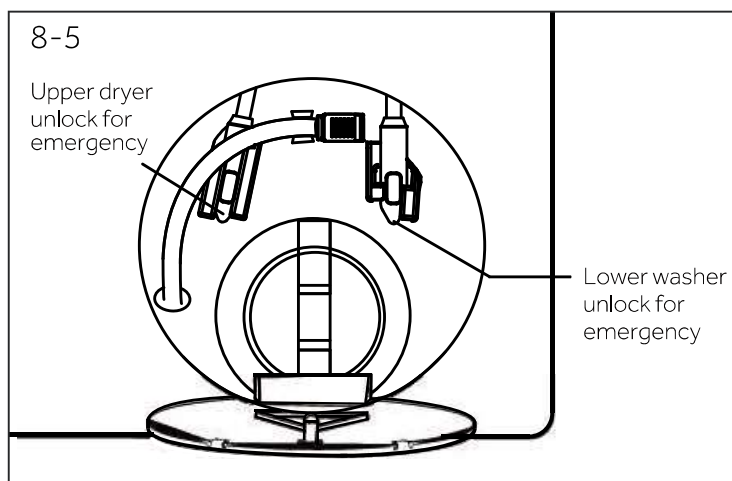
Open the door to prevent formation of moisture and odours.

To pause a cycle, press "Start/Pause". The button will start flashing. Press it again to resume the cycle.

To end a cycle before it has finished, press "Start/Pause" to pause the cycle then turn off the product by holding the "Power" button for 2 seconds. If there is still water in the drum it is recommended to run a rinse and spin cycle to drain the water.

### **i** Note: Door lock

- ▶ For safety reason when a wash cycle is started the lower washer drum door is locked. It is only possible to open the door at the end of a cycle or when a cycle is canceled correctly and the product is in a safe state.
- ▶ The washing machine is in a safe state with water level below the window, the drum temperature below 55°C, and the drum not spinning.



## 8.8 In an emergency

In an emergency (such as a power failure), you can manually open the door lock to remove your load.

If the water level of the lower drum wash machine is higher than the opening of the door, first drain the water from the bucket. See the process described in "Pump filter". Open the drain filter door (Fig.8-5) and pull the lever until the door is unlocked with a gentle click.

### **i** Note: Standby-mode

To save energy the product will enter standby-mode and the display will turn off after 2 minutes of inactivity.

## 8.9 Dryer Preparation

Sort items into loads of similar items, and loads that will likely take similar times to dry. This prevents the possibility of some items becoming over-dried whilst others are still damp. Separate coloured items from white/light items where possible, especially when new. Colour run may be an issue, especially if you intend to delay the start of the drying cycle. Care labels on garments provide valuable information about the fabric type and how the garment should be dried. Always follow the advice on garment labels.

Item/drying requirements	Suggested cycle	Comments
Towels	Towels	Towels produce a lot of lint and are best dried on their own.
Sheets, pillowcases	Bedding	Ensure openings are buttoned/domed before placing in the dryer.
Delicates, fine fabrics	Delicate	You can further reduce the dryness level to damp for very delicate items.
Mixed clothes	Cotton or Synthetic	Ensure the items can safely withstand heat.

## 8.10 Before you load

- ▶ Check pockets for items that could damage your clothes or get caught in the dryer. Close zippers, hooks and eyes, and other fastenings (ie fasten the openings of duvet/ doona covers), and remove loose brawires. These may damage both your dryer and your clothes.
- ▶ Items of clothing with screen-printing should be turned inside out to prevent damage to the print.
- ▶ Check the lint filter is clean.

## 8.11 Loading

- ▶ Garments need to be loaded correctly to minimise creasing and wrinkling, and to ensure the load is dried evenly.
- ▶ Allow enough room in the dryer for clothes to tumble freely. Load the dryer in terms of the space the garments take up when dry, rather than when they are wet.
- ▶ Shake clothes out and load individually to help items dry evenly and reduce tangling.
- ▶ Dry permanent press garments (business shirts) together on the Damp dryness level with Anti-crease option on. This will help reduce wrinkling and the need for ironing.
- ▶ Hang garments as soon as the drying cycle is complete to reduce the need for ironing.

### 8.12 Drying times

- ▶ Drying very small loads is inefficient. Try to dry medium to large loads.
- ▶ Heavier items (towels, flannelette sheets) will take longer to dry than light item (synthetics and polyester cotton sheets and shirts).
- ▶ Drying times can be reduced by spinning the wash load at the highest spin speed suitable for the load type in your washing machine
- ▶ Check bulky items during the cycle to ensure even drying, pause the dryer and reposition the item if necessary.

### 8.13 Lint

Some items are lint givers, while others are lint collectors. Always dry lint givers and collectors separately.

Lint givers	Lint collectors
Towels	Synthetics, eg polar fleece
Flannelette sheets	Corduroy
	Polyester cottons

Delicate or easily damaged items (eg nylon stockings, fine fabrics, delicate embroidered fabrics) should be dried separately, using the "Delicate" cycle.



## Environmentally responsible use

### Washing

- ▶ To achieve best use of energy, water, detergent and time you should use the recommended maximum load size.
- ▶ Do not overload (hand width clearance above laundry).
- ▶ For slightly soiled laundry select the **Express 15** programme.
  
- ▶ Choose the lowest adequate washing temperature-modern detergents are efficiently cleaning below 60°C.
- ▶ Raise default settings only due to heavy staining.
- ▶ Spin the laundry with the maximum spin speed if you want to use a drying programme afterwards.

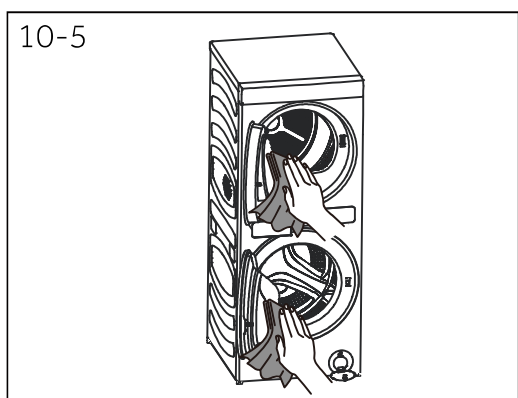
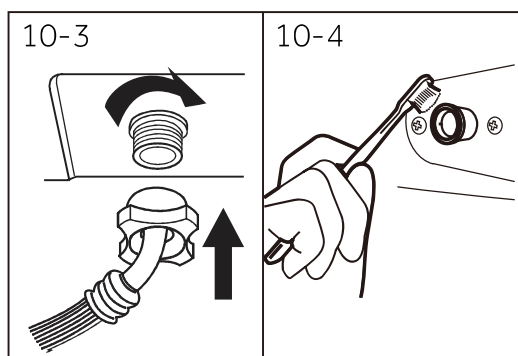
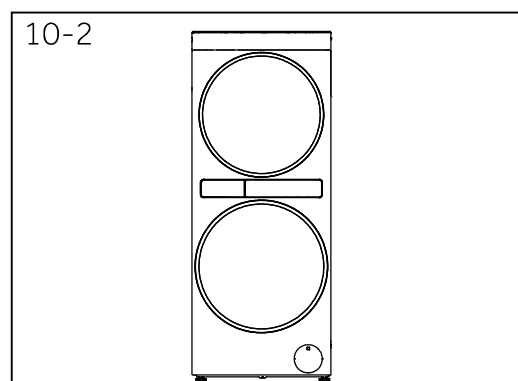
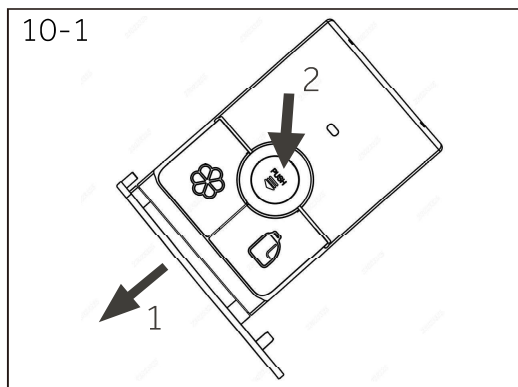
### Drying

- ▶ It is recommended to use the maximum load size.
- ▶ Loosen up the laundry before starting the drying programme.



## WARNING!

- ▶ Before cleaning and maintenance, remove the power plug from the socket.
- ▶ After cleaning and maintenance, reinstall the components in reverse order



### 10.1 Cleaning the detergent drawer

Take always care there are no detergent residues. Clean the drawer regularly (Fig. 10-1):

1. Press the drawer surface in the middle of the machine to pop it out. Pull out the drawer until it stops.
2. Press the release button and remove the drawer.
3. Flush the drawer with water until it is clean and insert the drawer back in the appliance.

### 10.2 Cleaning the machine

- ▶ Unplug the machine during cleaning and maintenance.
- ▶ Use a soft cloth with soap liquid to clean the machine case (Fig. 10-2) and rubber components.
- ▶ Do not use organic chemicals or corrosive solvents.

### 10.3 Water inlet valve and inlet valve filter

To prevent blockage of water supply by solid substances like lime clean regularly the inlet valve filter.

- ▶ Unplug the power cord and turn off the water supply.
- ▶ Unscrew the water inlet hose at the back (Fig. 10-3) of the appliance as well as on the tap.
- ▶ Flush the filters with water and a brush (Fig.10-4).
- ▶ Insert the filter and install the inlet hose.

### 10.4 Cleaning the drum

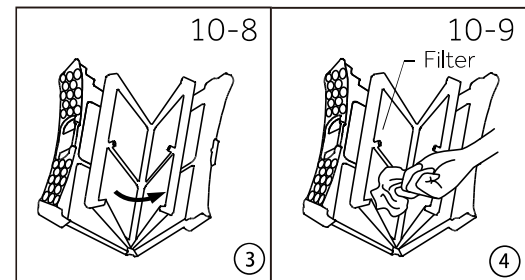
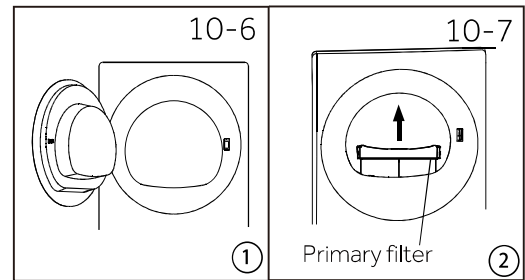
- ▶ Remove accidentally washed items, especially metal parts such as pins, coins, etc. from the drum (Fig. 10-5) because they cause rust stains and damage.
- ▶ Use a non-chloride cleaner for removing rust stains. Observe the warning hints of the cleaning agent manufacturer.
- ▶ Do not use any hard objects or steel wool for cleaning.

## 10.5 Clean the upper drum lint filter

### 10.5.1 Clean primary filter

To ensure good drying results, clean the primary filter before or after each cycle.

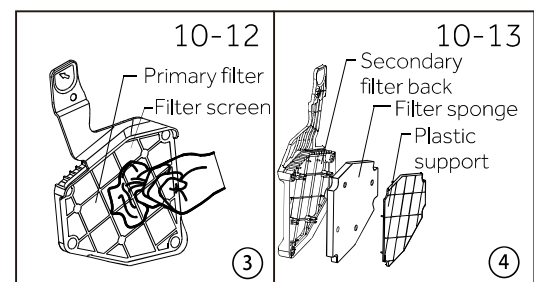
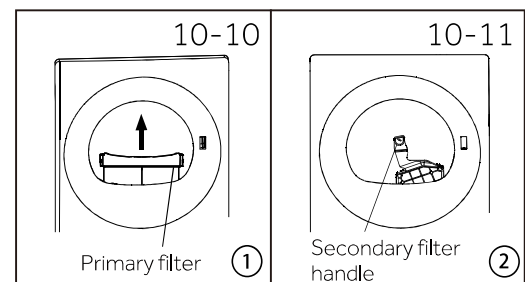
1. Open the upper drum door (Fig. 10-6).
2. Remove the primary filter from the machine (Fig. 10-7).
3. Open the filter (Fig. 10-8).
4. Use a wet towel to clean up the fluff and lint residuals on each mesh (Fig. 10-9).



### 10.5.2 Clean secondary filter

After drying, please clean the secondary filter each time.

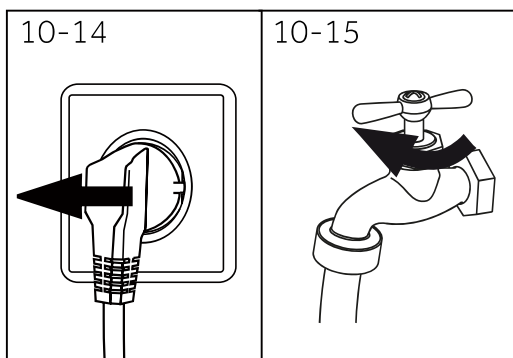
1. Open the door and take out the primary filter (Fig. 10-10).
2. Hold the handle of the secondary filter with your left hand, move the secondary filter to the front of the machine, then move to the left, and finally remove the secondary filter upward (Fig. 10-11).
3. Use a wet towel to clean up the fluff and lint residuals on the outer mesh; Then wipe the water droplets or water film on the mesh of the secondary filter with a dry rag to prevent affecting the drying effect (Fig. 10-12).
4. Remove the plastic support on the back of the filter and then take out the filter sponge, gently tap the filter sponge, shake off the lint and lint residuals (Fig. 10-13). (This step does not need to be cleaned every time, it is recommended to clean at least once a month based on the usage.)



## WARNING!

- ▶ If you rinse the filter with water, make sure that the surface of the filter is dry or wiped dry before putting it back in place.
- ▶ After cleaning, reinstall the secondary filter. If the filter is not installed properly, there will be an alarm on the display.
- ▶ When cleaning the primary filter, clean the dust around the filter seal, drying door glass, drying air duct, and other corners.

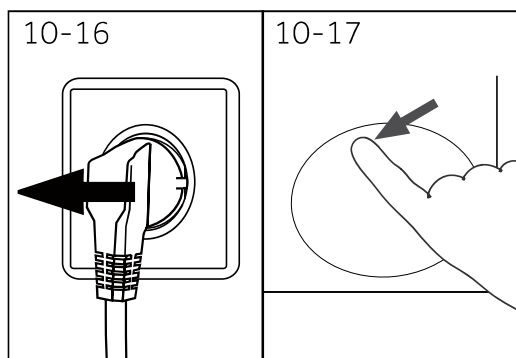




## 10.6 Long periods of disuse

If the appliance is left idle for a longer period:

1. Pull out the electrical plug (Fig. 10-14).
2. Turn off water supply (Fig. 10-15).
3. Open the door to prevent formation of moisture and odours. Let the door open while not used. Before next usage check carefully the power cord, water inlet and drain hose. Make sure everything is properly installed and without leakage.



## 10.7 Pump filter

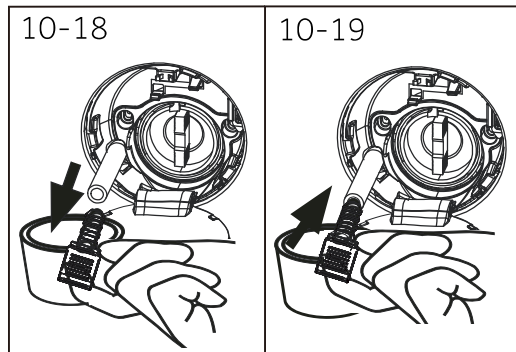
Clean the filter once a month and check the pump filter for instance if the appliance:

- ▶ Doesn't drain the water.
- ▶ Doesn't spin.
- ▶ Cause unusual noise while running.

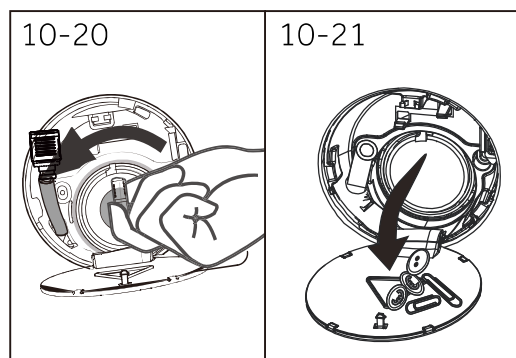


### WARNING!

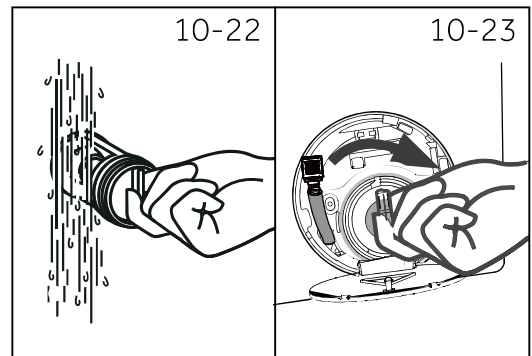
Scalding Risk! Water in the pump filter can be very hot! Before any action please ensure water has cooled down.



1. Turn off and unplug the machine (Fig.10-16).
2. Push and open service flap (Fig. 10-17).
3. Provide a flat container to catch leach water (Fig. 10-18). There could be bigger amounts!
4. Pull the drainhose out and hold its end above the container (Fig. 10-18).
5. Take the sealing plug out of the drainhose (Fig. 10-18).
6. After complete drainage close drainhose (Fig. 10-19). and push it back into the machine.
7. Unscrew and remove counter clockwise the pump filter (Fig.10-20).
8. Remove contaminants and dirt (Fig. 10-21).



9. Clean carefully pump filter, e.g. using running water (Fig. 10-22).
10. Refix it thoroughly (Fig. 10-23).
11. Close service flap.



Many occurring problems could be solved by yourself without specific expertise. In case of a problem please check all shown possibilities and follow below instructions before you contact an after sales service. See CUSTOMER SERVICE.



## WARNING!

- ▶ Before maintenance, deactivate the appliance and disconnect the mains plug from the mains socket.
- ▶ Electrical equipment should be serviced only by qualified electrical experts, because improper repairs can cause considerable consequential damages.
- ▶ A damaged power cable should only be replaced by the manufacturer, its service agent or similarly qualified persons in order to avoid a hazard.

### 11.1 Troubleshooting with display code

Problem	Cause	Solution
ELrFLtr	<ul style="list-style-type: none"> <li>• Drainage anomaly.</li> </ul>	<ul style="list-style-type: none"> <li>• Check whether the drainage pipe is blocked or bent. Check and clean the drain filter.</li> </ul>
clnboth LintFLtr	<ul style="list-style-type: none"> <li>• Filter block alarm.</li> </ul>	<ul style="list-style-type: none"> <li>• Clean the filter and restart.</li> </ul>
EE1	<ul style="list-style-type: none"> <li>• The final air filter is not installed properly.</li> </ul>	<ul style="list-style-type: none"> <li>• Reinstall the air filter.</li> </ul>
E4	<ul style="list-style-type: none"> <li>• Abnormal water intake, faucet not on or off water.</li> </ul>	<ul style="list-style-type: none"> <li>• Please check whether the faucet is turned on, the water pressure is too low, or the water is cut off.</li> </ul>
FH	<ul style="list-style-type: none"> <li>• The wireless module fails to be configured.</li> </ul>	<ul style="list-style-type: none"> <li>• Power on the washing machine again, press the power button to turn it on.</li> </ul>



## Note:

When a continuous series of beeps sound, all the lights turn off and a string of codes appears on the display 'a fault has occurred'. Please call your trained and supported Haier service technician.

## 11.2 Troubleshooting without display code

Problem	Cause	Solution
Appliance fails to operate.	<ul style="list-style-type: none"> <li>• Programme is not yet started.</li> <li>• Door is not properly closed.</li> <li>• Machine has not been switched on.</li> <li>• Power failure.</li> <li>• Key lock is activated.</li> </ul>	<ul style="list-style-type: none"> <li>• Check programme and start it.</li> <li>• Close the door properly.</li> <li>• Switch the machine on.</li> <li>• Check power supply.</li> <li>• Deactivate key lock.</li> </ul>
Appliance will not be filled with water.	<ul style="list-style-type: none"> <li>• No water.</li> <li>• Inlet hose is kinked.</li> <li>• Inlet hose filter is blocked.</li> <li>• Water pressure is less than 0.05MPa.</li> <li>• Door is not properly closed.</li> <li>• Water supply failure.</li> </ul>	<ul style="list-style-type: none"> <li>• Check water tap.</li> <li>• Check inlet hose.</li> <li>• Unblock inlet hose filter.</li> <li>• Check water pressure.</li> <li>• Close the door properly.</li> <li>• Ensure the water supply.</li> </ul>
Appliance is draining while being filled.	<ul style="list-style-type: none"> <li>• Height of drain hose is below 80 cm.</li> <li>• Drain hose end could reach into water.</li> </ul>	<ul style="list-style-type: none"> <li>• Make sure that drain hose is properly installed.</li> <li>• Make sure the drain hose is not in water.</li> </ul>
Drainage failure.	<ul style="list-style-type: none"> <li>• Drain hose is blocked.</li> <li>• Pump filter is blocked.</li> <li>• Drain hose end is higher than 100 cm above floor level.</li> </ul>	<ul style="list-style-type: none"> <li>• Unblock drain hose.</li> <li>• Clean pump filter.</li> <li>• Make sure that drain hose is properly installed.</li> </ul>
Strong vibration while spinning.	<ul style="list-style-type: none"> <li>• Not all transportation bolts have been removed.</li> <li>• Appliance has no solid position.</li> <li>• Machine load is not correct.</li> </ul>	<ul style="list-style-type: none"> <li>• Remove all transportation bolts.</li> <li>• Ensure solid ground and a levelled position.</li> <li>• Check load weight and balance.</li> </ul>
Operation stops before completing wash cycle.	<ul style="list-style-type: none"> <li>• Water or electric failure.</li> </ul>	<ul style="list-style-type: none"> <li>• Check power and water supply.</li> </ul>
Operation stops for a period of time.	<ul style="list-style-type: none"> <li>• Appliance displays error code.</li> <li>• Problem due to load pattern.</li> <li>• Programme performs soaking cycle.</li> </ul>	<ul style="list-style-type: none"> <li>• Consider display codes.</li> <li>• Reduce or adjust load.</li> <li>• Cancel programme and restart.</li> </ul>

Problem	Cause	Solution
Excessive foam floats drum and/or detergent drawer.	<ul style="list-style-type: none"> <li>• Detergent is not a appropriate.</li> <li>• Excessive use of detergent.</li> </ul>	<ul style="list-style-type: none"> <li>• Check detergent recommendations.</li> <li>• Reduce amount of detergent.</li> </ul>
Automatic adjustment of washing time.	<ul style="list-style-type: none"> <li>• Washing programme duration will be adjusted.</li> </ul>	<ul style="list-style-type: none"> <li>• This is normal and doesn't affect functionality.</li> </ul>
Spinning fails.	<ul style="list-style-type: none"> <li>• Unbalance of laundry.</li> </ul>	<ul style="list-style-type: none"> <li>• Check machine load and laundry and run a spinning programme again.</li> </ul>
Unsatisfactory washing result.	<ul style="list-style-type: none"> <li>• The degree soiling and stains is not appropriate to the chosen cycle.</li> <li>• Detergent quantity was not sufficient.</li> <li>• Maximum load has been exceeded.</li> <li>• Laundry was unevenly distributed in the drum.</li> </ul>	<ul style="list-style-type: none"> <li>• Select another programme.</li> <li>• Choose the detergent according to the degree of soiling or stains using manufacturers specifications.</li> <li>• Reduce loading.</li> <li>• Loosen the laundry.</li> </ul>
Washing powder residues are on the laundry.	<ul style="list-style-type: none"> <li>• Insoluble particles of detergent can remain as white spots on the laundry.</li> </ul>	<ul style="list-style-type: none"> <li>• Perform extra rinse.</li> <li>• Try to brush the points from the dry laundry.</li> <li>• Choose another detergent.</li> </ul>
Small amount of water in the drum at end of cycle	<ul style="list-style-type: none"> <li>• Drain hose is blocked.</li> <li>• Environmental conditions may be affecting dryer operation.</li> </ul>	<ul style="list-style-type: none"> <li>• Check whether the drain hose is blocked.</li> <li>• Check the drain hose is still attached at the back of the machine, and is not kinked or squashed.</li> <li>• If conditions are particularly hot, humid or cold, it is possible water may recondense in the drum or on the inside of the door.</li> </ul>

Problem	Cause	Solution
Laundry has grey patches.	<ul style="list-style-type: none"> <li>Caused by fats such as oils, creams or ointments.</li> </ul>	<ul style="list-style-type: none"> <li>Pretreat the laundry with a special cleaner.</li> </ul>
Noises	<ul style="list-style-type: none"> <li>Dryer is overloaded.</li> <li>Dryer makes unfamiliar noises.</li> </ul>	<ul style="list-style-type: none"> <li>Remove some items from the dryer.</li> <li>At the start of the cycle the dryer may make some unfamiliar noises when the compressor turns on. This is normal.</li> </ul>
Vibration	<ul style="list-style-type: none"> <li>Dryer is not installed on a stable surface.</li> <li>Dryer is not level.</li> <li>Dryer is overloaded.</li> </ul>	<ul style="list-style-type: none"> <li>Ensure the dryer is installed on a flat, stable surface.</li> <li>Ensure the dryer is correctly levelled.</li> <li>Remove some items from the dryer.</li> </ul>
Creasing	<ul style="list-style-type: none"> <li>Cycle selection not appropriate for the load.</li> <li>Dryer is overloaded.</li> <li>Dry Level selected too high for load type.</li> </ul>	<ul style="list-style-type: none"> <li>Choose appropriate cycle. Refer to "Dry Cycles".</li> <li>Remove some items from the dryer.</li> <li>Try selecting a lower Dry Level.</li> </ul>
Dye transfer	<ul style="list-style-type: none"> <li>White/light and coloured items not separated before drying.</li> <li>Wet items left sitting in the dryer for long periods of time before drying.</li> </ul>	<ul style="list-style-type: none"> <li>Remember to separate white/light and coloured items before placing them in the dryer.</li> <li>Refer to "Dryer Preparation" for tips to prevent dye transfer.</li> </ul>
Linting	<ul style="list-style-type: none"> <li>Lint filter not cleaned or replaced.</li> <li>Loads not sorted correctly.</li> <li>Clothes over dried.</li> </ul>	<ul style="list-style-type: none"> <li>Ensure the lint filter is cleaned after every cycle and replaced correctly. Refer to "Clean the upper drum lint filter".</li> <li>Dry lint-giving items separately from lint receivers. Also, dry similar colours together, eg light coloured items with light coloured items, dark items with dark items. Refer to "Dryer Preparation".</li> <li>Over drying clothes in the dryer can cause them to attract lint. Use an auto sensing cycle or ensure you check your load if using the time dry cycles to avoid over drying.</li> </ul>

Problem	Cause	Solution
Fabric damage	<ul style="list-style-type: none"> <li>• Instructions on care label not followed.</li> <li>• DRYNESS LEVEL selected not appropriate for the fabric type.</li> <li>• Metal parts on the items or in the load.</li> <li>• Items not separated or dried on an appropriate cycle for the fabric type.</li> <li>• Used a TIME DRY cycle and did not monitor the dryness of clothes during the cycle.</li> </ul>	<ul style="list-style-type: none"> <li>• Follow the instructions on the care label of the items.</li> <li>• Ensure the DRYNESS LEVEL selected is appropriate for the fabric type. Refer to the items care label.</li> <li>• Fasten zips and other clasps before placing items in the dryer.</li> <li>• Dry similar items together. Ensure an appropriate cycle is selected.</li> <li>• Ensure that clothes are checked for dryness during the cycle when using the timed programmes to avoid over drying.</li> </ul>
Tangling	<ul style="list-style-type: none"> <li>• Loads not separated during loading.</li> <li>• Items loaded into the dryer incorrectly.</li> <li>• Load size too large.</li> <li>• Sheets and duvet/duonacovers due to their size, are prone to tangling.</li> </ul>	<ul style="list-style-type: none"> <li>• Try separating out larger items from smaller items.</li> <li>• Load items individually into the dryer. Do not place folded items in the dryer.</li> <li>• Try drying smaller load sizes. Some cycles have a lower maximum load size. Refer to "Drying cycles".</li> <li>• Dry sheets and duvet/duona covers separately from other laundry, apart from towels. Ensure duvet/duona covers are buttoned or fastened closed before drying. Try adding a knotted towel to sheets loads if you are experiencing a lot of tangling.</li> </ul>



### Note: Foam formation

If too much foam is seen during spin cycle, motor stops and drain pump will be activated for 90 seconds. If that elimination of foam fails up to three times, programme ends without spinning.

We recommend our Haier Customer Service and the use of original spare parts.  
If you have a problem with your appliance, please first check section TROUBLESHOOTING.

If you cannot find a solution there, please contact:

- ▶ your local dealer.
- ▶ the Service & Support area at [www.haier.com](http://www.haier.com) where you can find telephone numbers and FAQs and where you can activate the service claim.

To contact our Service, ensure that you have the following data available.  
The information can be found on the rating plate.

Model \_\_\_\_\_ Serial No. \_\_\_\_\_

Also check the Warranty Card supplied with the product in case of warranty.

For general business enquiries please contact our Customer Care Centre according to Warranty Card.

For more information please refer to [www.haier.com](http://www.haier.com).











**Haier**

0020511121