

INSTALLATION INSTRUCTIONS USER GUIDE

Built-in Slideout Rangehood

HS60XW4, HS60LXW4, HS60LRX4
and HS90X4 models

NZ AU

CONTENTS

Safety and warnings	3
Installation instructions	5
Operating instructions	10
Cleaning and maintenance	11
Parts and accessories	13
Manufacturer's Warranty	14
Customer Care	16

IMPORTANT!

SAVE THESE INSTRUCTIONS

The models shown in this user guide may not be available in all markets and are subject to change at any time. For current details about model and specification availability in your country, please go to our local website listed on the back cover or contact your local Fisher & Paykel dealer.

Registration

Register your product with us so we can provide you with the best service possible.

To register your product visit our website:
www.fisherpaykel.com

SAFETY AND WARNINGS

⚠ WARNING!



Electric Shock Hazard

All electrical work must be done in accordance with local and/or national electrical codes as applicable. If you are unfamiliar with methods of installing electrical wiring, employ the services of a qualified electrician. Turn off power at service entrance before installing wiring or servicing this product.

⚠ WARNING!



11.2 kg
(HS90X4)

11 kg
(HS60XW4)

8.3 kg
(HS60LRX4)

8.1 kg
(HS60LXW4)

Weight Hazard

The rangehood is heavy. Please ensure adequate care is taken when installing the rangehood to prevent personal injury. The rangehood must be installed onto a solid wall, stud, beam or truss. Weight of the product is 11.2 kg (HS90X4) / 11 kg (HS60XW4) / 8.3 kg (HS60LRX4) / 8.1 kg (HS60LXW4).

IMPORTANT SAFETY INSTRUCTIONS

WARNING! When using this appliance always exercise basic safety precautions including the following:

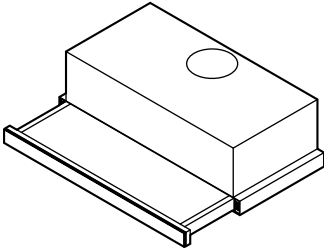
- Please read the entire set of instructions before installing or using this appliance.
- Please make this information available to the person installing the appliance - doing so could reduce your installation costs.
- Always switch the power off prior to installation, servicing or cleaning of the rangehood.
- This appliance must be installed and connected to the mains power supply only by a suitably qualified person according to these installation instructions and in compliance with any applicable local building and electricity regulations. Failure to install the appliance correctly could invalidate any warranty or liability claims.
- To comply with electrical safety regulations, the rangehood must be plugged into a socket near the appliance. The socket must be accessible, or have an accessible isolating switch, to enable the end user to isolate the rangehood from the power for the purpose of internal cleaning or maintenance.
- A power outlet should be within 750 mm of the motor assembly and can either be on the wall, behind the chimney or in the ceiling.
- If the supply cord of this equipment is damaged, it must only be replaced by the manufacturer, its service agent or similarly qualified person in order to avoid a hazard.
- Ducting accessories are not supplied. All ducting must comply with local requirements and building codes.

SAFETY AND WARNINGS

- **Attention should be given to ensure that any applicable regulations concerning the discharge of exhaust air are fulfilled.**
- **Before connecting any pipes, consult municipal ordinances to ensure that any applicable regulations concerning the discharge of exhaust air are adhered to and request permission from the person in charge of the building.**
- **Exhaust air must not be discharged into an existing flue that is used for exhausting fumes from appliances burning gas or other fuels.**
- **There shall be adequate ventilation of the room when the rangehood is used at the same time as appliances burning gas or other fuels.**
- **The minimum distance between the supporting surface for cooking vessels on the cooktop and the lowest part of the rangehood shall be 600 mm or 650 mm if installed over a gas cooktop.**
- **Stainless steel is very easily damaged during installation if abraded or knocked by tools. It is recommended to protect the top of the rangehood with cardboard or polystyrene during the installation to minimise the risk of damage occurring.**
- **To reduce the risk of damage occurring to the cooktop, it is recommended that the surface of the cooktop is protected with cardboard or a similar object during installation of the rangehood.**
- **This appliance is not intended for use by persons (including children) with reduced physical, sensory or mental capabilities, or lack of experience and knowledge, unless they have been given supervision or instruction concerning the use of the appliance by a person responsible for their safety.**
- **Children should be supervised to ensure they do not play with the appliance. Cleaning and user maintenance shall not be made by children without supervision.**
- **You must read the details concerning the method and frequency of cleaning.**
- **There is a fire risk if cleaning is not carried out in accordance with the instructions.**
- **Never leave frying food unattended since grease can overheat and catch fire. The risk of fire is even greater in the case of used oil.**
- **Do not flambé under the rangehood.**
- **Never use the rangehood without the filters in place.**
- **During an electrostatic discharge (ESD) it is possible that the device will stop working. By switching the device off and on the device will again work as intended.**
- **CAUTION: accessible parts may become hot when used with cooking appliances.**
- **Remove all packaging, including protective wrappings, before use.**

INSTALLATION INSTRUCTIONS

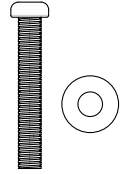
Contents of packaging



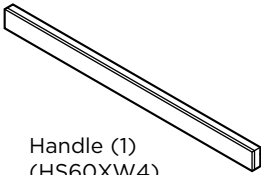
Rangehood
(1)



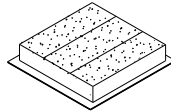
Installation instructions
User guide manual
(1)



Screw M6 x 40 mm
(incl. washer)
(4)



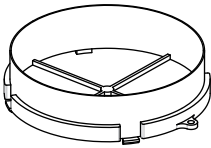
Handle (1)
(HS60XW4)
(HS60LXW4)



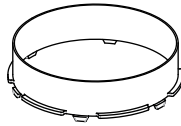
Carbon filters (2)
(HS60LRX4)



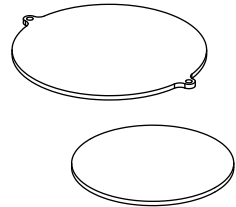
Screw 3 x 12 mm
(6)



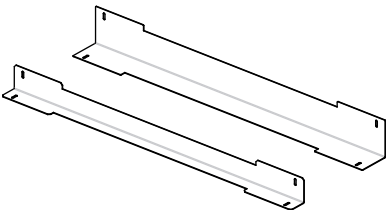
Ducting adapter -
top extraction
(1)



Ducting adapter -
rear extraction
(1)



Duct hole covers
(2)



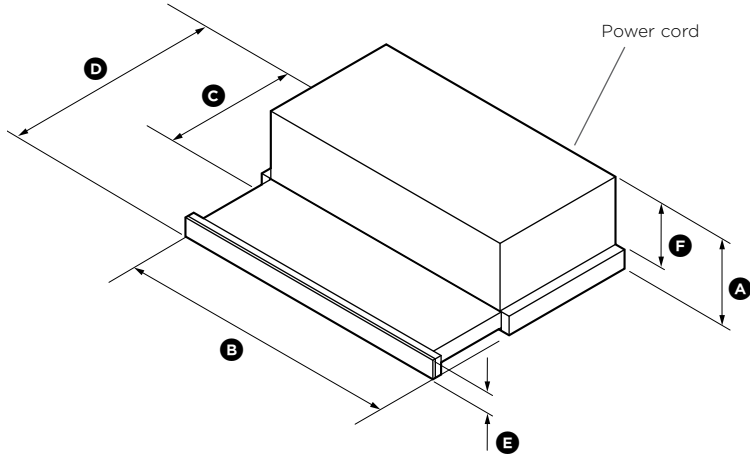
Spacer Rear
(2)



Spacer Lateral
(2)

INSTALLATION INSTRUCTIONS

Product dimensions



	HS60LRX4	HS90X4	HS60XW4 HS60LXW4
PRODUCT DIMENSIONS	mm	mm	mm
(A) Overall height of product	180	180	180
(B) Overall width of product	598	898	598
(C) Overall depth of chassis	280	280	280
(D) Overall depth of chassis (fully extended)	460	460	460
(E) Height of handle	70	40	40
(F) Installed chassis height	140	140	140
Power cord length	1500	1500	1500

IMPORTANT!

Actual product dimensions may vary by ± 2 mm.

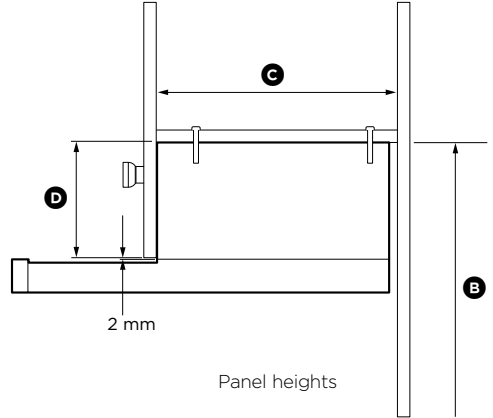
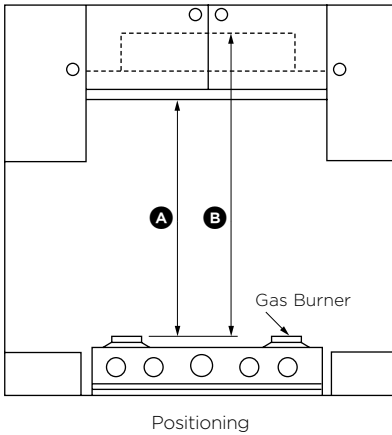
Please read the entire instructions before installing the rangehood.

INSTALLATION INSTRUCTIONS

Height of rangehood

Please read the entire instructions BEFORE installing the rangehood.

- Ascertain the desired installation height of the rangehood.
- When installing the rangehood, the lower edge of the unit must be a minimum of 600 mm above electric cooktop surface; 650 mm above gas cooktop cooking surface; and up to a maximum of 750 mm.
- Any installation above 750 mm will compromise the extraction performance.



RECIRCULATED

HS60LRX4
HS60LXW4

DUCTED

HS60XW4
HS60LXW4
HS90X4

MINIMUM CLEARANCES

	mm	mm
(A) Height (top of cooktop to base of rangehood) Electric cooktop Gas cooktop	min. 600 – max. 750 min. 650 – max. 750	min. 600 – max. 750 min. 650 – max. 750
(B) Height (top of cooktop to base of shelf where rangehood is attached) Electric cooktop Gas cooktop	min. 781 – max. 931 min. 831 – max. 931	min. 781 – max. 931 min. 831 – max. 931
(C) Depth of installation (cabinet cavity)	min. 283	min. 283
(D) Height of installation (cabinet cavity)	max. 108	max. 138

INSTALLATION INSTRUCTIONS

Venting options

Attention should be given to ensure that any applicable regulations concerning the discharge of exhaust air are fulfilled.

Ducted

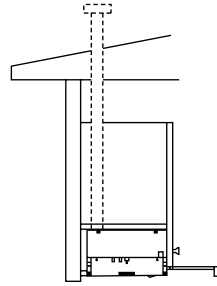
We recommend rangehoods be vented outside, recirculating installation is recommended only when vented installation is not possible. For optimal efficiency, use smooth-walled ducting. Flexible ducting should only be used as last resort; it may reduce performance and increase noise.

- We recommend to use top extraction for venting.
- Top extraction (125 mm round ducting) and rear extraction (100 mm round ducting) can be used in conjunction with this model.

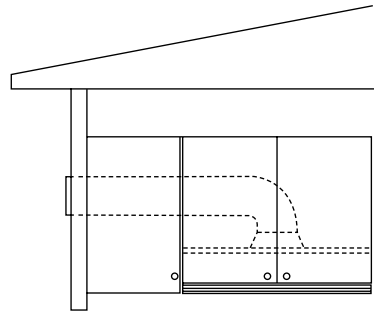
Recirculating

Recirculating installation is recommended only when vented installation is not possible.

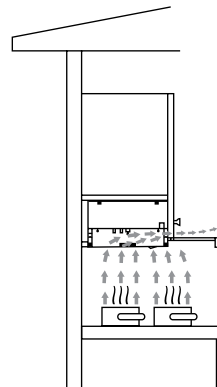
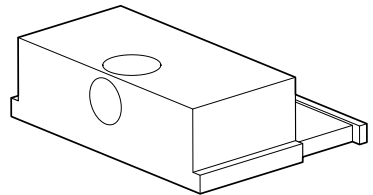
- HS60LRX4 is designed for front recirculating installations only.
- HS60LXW4 can be installed in front recirculating, or can be ducted. Accessories are required.
- HS60XW4 and HS90X4 can be installed to recirculate through cabinetry with ducting, or ducted outside.



Ducting through roof



Ducting through cavity to side



Front Recirculating*

* In recirculating mode you must use carbon filters to eliminate cooking smells and tall handle (70 mm).

INSTALLATION INSTRUCTIONS

WARNING!

Failure to install the screws or fixing device in accordance with these instructions may result in electrical hazards.

Installation

① Preparing the rangehood for installation:

- Before commencement, unpack the rangehood and check that it functions correctly.
- Ensure the overhead cabinets are built according to the minimum clearances table on page 7.
- Before drilling any holes, check that the area behind the surface to be drilled is clear of any electrical cables or pipes etc.

Ducted installation

(HS60LXW4, HS60XW4, HS90X4)

If the rangehood is to be installed as a ducted hood:

- Do not remove cover tape (A). See Fig.1. This is removed for recirculating only.
- Place adaptor in top extraction.
- Place cover on rear extraction.

Front Recirculating installation

(HS60LXW4, HS60LRX4)

If the rangehood is to be installed as a recirculating hood:

- Remove cover tape (A), see Fig.1.
- Place covers on rear and top extraction.
- Install carbon filters see page 12.
- Assemble tall handle (70 mm)

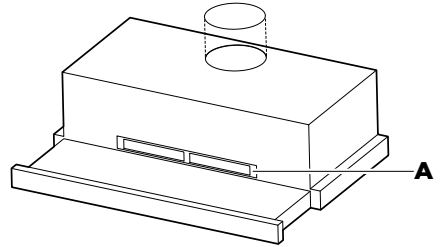


Fig.1 Preparing for install

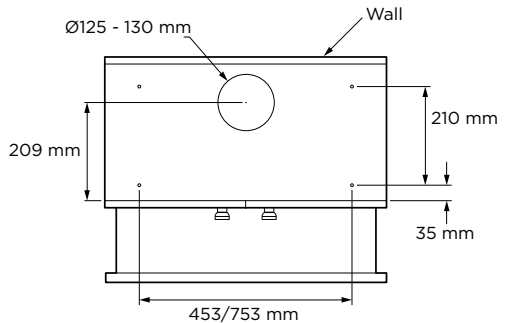


Fig.2 Mounting to underside of cabinetry

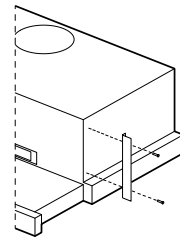


Fig.3 Spacer Lateral

② Mounting the rangehood

Mounting to underside of cupboard

Fix the rangehood to a shelf mounted at the right height in your wall units, by drilling 4 holes, 7 mm in diameter, (see Fig.2) and fixing with the 4 screws supplied. When installing the rangehood the space between the product and the wall shall be covered with the adjustable lateral and rear spacer supplied (Fig.3 and Fig.4).

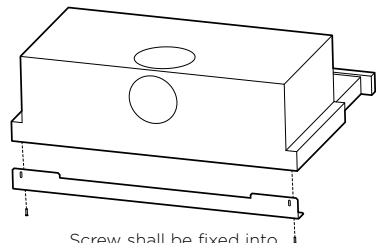
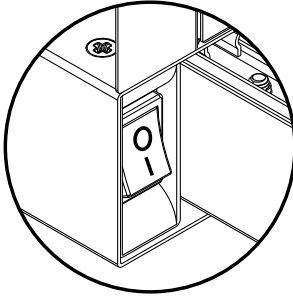


Fig.4 Spacer Rear

OPERATING INSTRUCTIONS

Control panel features

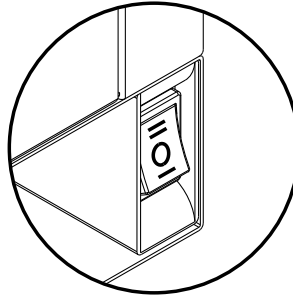
Left hand side



Light switch: the light can be operated independently from the fan.

Fig.5 Light switch

Right hand side

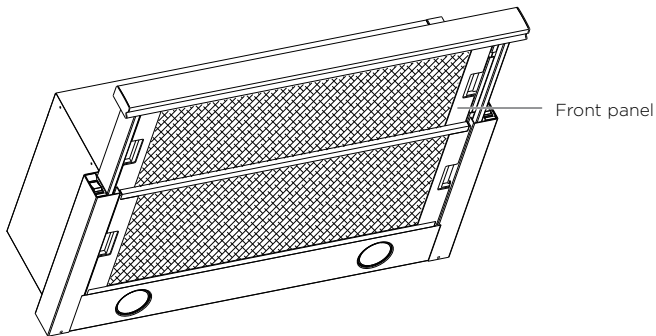


Fan switch: the fan can be run at different speeds depending on the cooking requirements.

Fig.6 Fan switch

Operating instructions

- ① Pull out the front panel more than 50 mm. The front panel has to be pulled to its maximum extension so as to optimise the extraction capacity.
- ② Switch on the lamps (Fig.5).
- ③ Select air flow speed to suit your cooking requirements. The fan switch (Fig.6) has the following functions:
 - Stop
 - I Low speed
 - II High speed



CLEANING AND MAINTENANCE

WARNING!

Unplug or disconnect the appliance from the power supply before servicing or cleaning.

IMPORTANT!

- Never use abrasive or oil based cleaners.
- Wear gloves to protect against sharp edges.

General maintenance

The manufacturer is not liable for any damage caused by not following these instructions.

The rangehood should be cleaned regularly using warm water with soap or mild liquid detergents. This ensures that no build-up of grease occurs as these deposits are corrosive. Do not use abrasives or harsh detergents/cleaning fluids.

Note: in areas of high humidity and coastal environments cleaning should be carried out more frequently.

Aluminium filter

The grease filter must be periodically cleaned (at least every two months).

Remove the grease filter and wash either by hand using hot soapy water or place in the dishwasher with recommended dishwashing detergent for your dishwasher.

Note:

- Some discolouration of the frame may occur.
- When installing or replacing a filter, remove the protective plastic covering from the filter.

CLEANING AND MAINTENANCE

WARNING!

When replacing the bulb, let the bulb cool, and assure that power to the rangehood has been turned off. Use new bulbs according to that indicated on the rangehood nameplate.

Carbon filter for all recirculating installations

(Optional: HS60LXW4, HS60XW4, HS90X4)

(With product: HS60LRX4)

Active carbon filters are disposable items designed to remove grease and odours from cooking vapours before the air is channelled back into the kitchen. The active carbon filters must be replaced periodically to work properly, at least every three months, depending on the frequency with which the rangehood is used.

Note:

- Fully saturated carbon filters can become a barrier to air movement, impeding the rangehood's performance.
- In the event of fire, fully grease laden filters could be flammable and therefore regular replacement is recommended.

Replacement

To replace carbon filters (C), proceed as follows:

- ① Remove aluminium filter (A).
- ② To remove carbon filter undo and remove the screw (B).
- ③ To install follow above steps in reversed order.

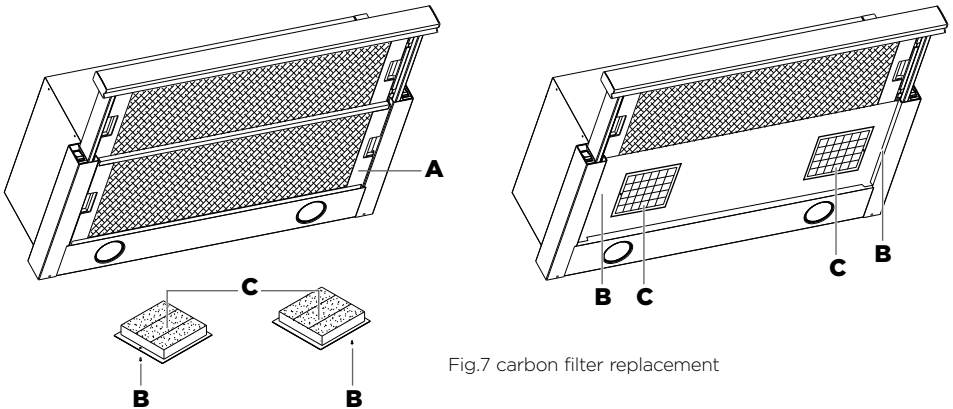


Fig.7 carbon filter replacement

Light bulb replacement

(230 Volt / 50 Watt light bulb)

- ① To replace a light bulb, first disconnect rangehood from power supply.
- ② Apply finger pressure to the face of the light bulb and twist one quarter turn anti-clockwise, the light bulb will now be free to drop out.
- ③ Remove the faulty bulb and fit replacement bulb into the lamp holder.
- ④ Refit the light bulb, applying finger pressure and twist one quarter turn clockwise.

Note: replacement bulbs are not covered by Manufacturer's Warranty.

PARTS AND ACCESSORIES

ACCESSORY	PART NUMBER
Replacement aluminium filter x2 (HS60)	792391
Replacement aluminium filter x2 (HS90)	792392
Recirculation charcoal filter x2	792390
Halogen bulb	792461
Ducting kit 125 mm (eaves)	PD-RHK125E
Ducting kit 125 mm (wall)	PD-RHK125W
Ducting kit 125 mm (roof)	PD-RHK125T

MANUFACTURER'S WARRANTY

You automatically receive a 2 year Manufacturer's Warranty with the purchase of this Slideout rangehood covering parts and labour for servicing within the country of purchase.

Fisher & Paykel undertakes to:

Repair or, at its option, replace without cost to the owner either for material or labour any part of the product, the serial number of which appears on the product, which is found to be defective within TWO YEARS of the date of purchase.

Note: this Manufacturer's Warranty is an extra benefit and does not affect your legal rights.

This Manufacturer's Warranty DOES NOT cover

- (A) Service calls which are not related to any defect in the product. The cost of a service call will be charged if the problem is not found to be a product fault. For example:
 - ① Correcting the installation of the product.
 - ② Instructing you how to use the product.
 - ③ Replacing house fuses or correcting house wiring or plumbing.
 - ④ Correcting fault(s) caused by the user.
 - ⑤ Noise or vibration that is considered normal, eg drain/fan sounds, refrigeration noises or user warning beeps.
 - ⑥ Correcting damage caused by pests, eg rats, cockroaches, etc.
 - ⑦ Replacement light bulbs.
- (B) Defects caused by factors other than:
 - ① Normal domestic use; or
 - ② Use in accordance with the product's user guide.
- (C) Defects to the product caused by accident, neglect, misuse or 'act of God'.
- (D) The cost of repairs carried out by non-authorized repairers or the cost of correcting such unauthorised repairs.
- (E) Normal recommended maintenance as set out in the product's user guide.
- (F) Repairs when the appliance has been dismantled, repaired or serviced by other than a Fisher & Paykel Authorised Repairer or the selling dealer.
- (G) Pick-up and delivery.
- (H) Transportation or travelling costs involved in the repair when the product is installed outside the Fisher & Paykel Authorised Repairer's normal service area.

Nothing in this Manufacturer's Warranty is intended to, or does, limit any rights you may have under law to recover the costs of inspecting or returning the goods to us.

This product has been designed for use in a normal domestic (residential) environment. This product is not designed for any commercial use (whatsoever). Any commercial use by a customer will affect this product's Manufacturer's Warranty.

Service under this Manufacturer's Warranty must be provided by a Fisher & Paykel Authorised Repairer (refer to the 'Customer Care' section at the back of this book). Such service shall be provided during normal business hours. This Manufacturer's Warranty certificate should be shown when making any claim.

MANUFACTURER'S WARRANTY

For Australian customers

This Manufacturer's Warranty is an extra benefit and does not affect your legal rights. Our goods come with guarantees that cannot be excluded under the Australian Consumer Law. You are entitled to a replacement or refund for a major failure and for compensation for any other reasonably foreseeable loss or damage. You are also entitled to have the goods repaired or replaced if the goods fail to be of acceptable quality and the failure does not amount to a major failure.

Please keep this user guide in a safe place.

CUSTOMER CARE

Before you call for service or assistance...

Check the things you can do yourself. Refer to your user guide and check that:

- ① Your product is correctly installed.
- ② You are familiar with its normal operation.

If after checking these points you still need assistance or parts, please refer to your nearest Authorised Service Centre, Customer Care, or contact us through our website www.fisherpaykel.com.

In New Zealand if you need assistance...*

Call your Fisher & Paykel retailer who is trained to provide information on your appliance, or if we can be of any further help, please contact our Customer Care Centre.

Toll Free: 0800 FP CARE or 0800 372 273

Fax: (09) 273 0656

Website: www.fisherpaykel.com

Postal address: Fisher & Paykel Appliances Ltd, PO Box 58550, Botany, Auckland 2163

If you need service...*

Fisher & Paykel has a network of independent Fisher & Paykel Authorised Repairers whose fully trained technicians can carry out any service necessary on your appliance. Your dealer or our Customer Care Centre can recommend a Fisher & Paykel Authorised Repairer in your area.

In Australia if you need assistance...*

Call the Fisher & Paykel Customer Care Centre and talk to one of our Customer Care Consultants.

Toll Free: 1300 650 590

Fax: (07) 3826 9298

Website: www.fisherpaykel.com

Postal address: Fisher & Paykel Appliances Ltd, PO Box 798, Cleveland QLD 4163

If you need service...*

Fisher & Paykel has a network of Fisher & Paykel trained and supported service technicians responsible for servicing only Fisher & Paykel branded appliances. Our Customer Care Centre can recommend a Fisher & Paykel trained and supported service technician in your area.

*If you call, write or contact our website please provide: your name and address, model number, serial number, date of purchase and a complete description of the problem. This information is needed in order to better respond to your request for assistance.

Product details can be found under the aluminium filter.

Registration

Register your product with us so we can provide you with the best service possible. To register your product visit our website: **www.fisherpaykel.com**

CUSTOMER CARE

Complete and keep for safe reference:

Model _____

Serial No. _____

Purchase Date _____

Purchaser _____

Dealer _____

Suburb _____

Town _____

Country _____

© Fisher & Paykel Appliances 2015. All rights reserved.
The product specifications in this booklet apply to the specific products and models described at the date of issue. Under our policy of continuous product improvement, these specifications may change at any time. You should therefore check with your Dealer to ensure this booklet correctly describes the product currently available.

NZ AU