

Haier

FREESTANDING RANGE

HOR54S4CCRW1
HOR54S4CERW1
HOR60S4CCRW1
HOR60S4CERW1
HOR60S9CERW1

INSTALLATION GUIDE

NZ AU

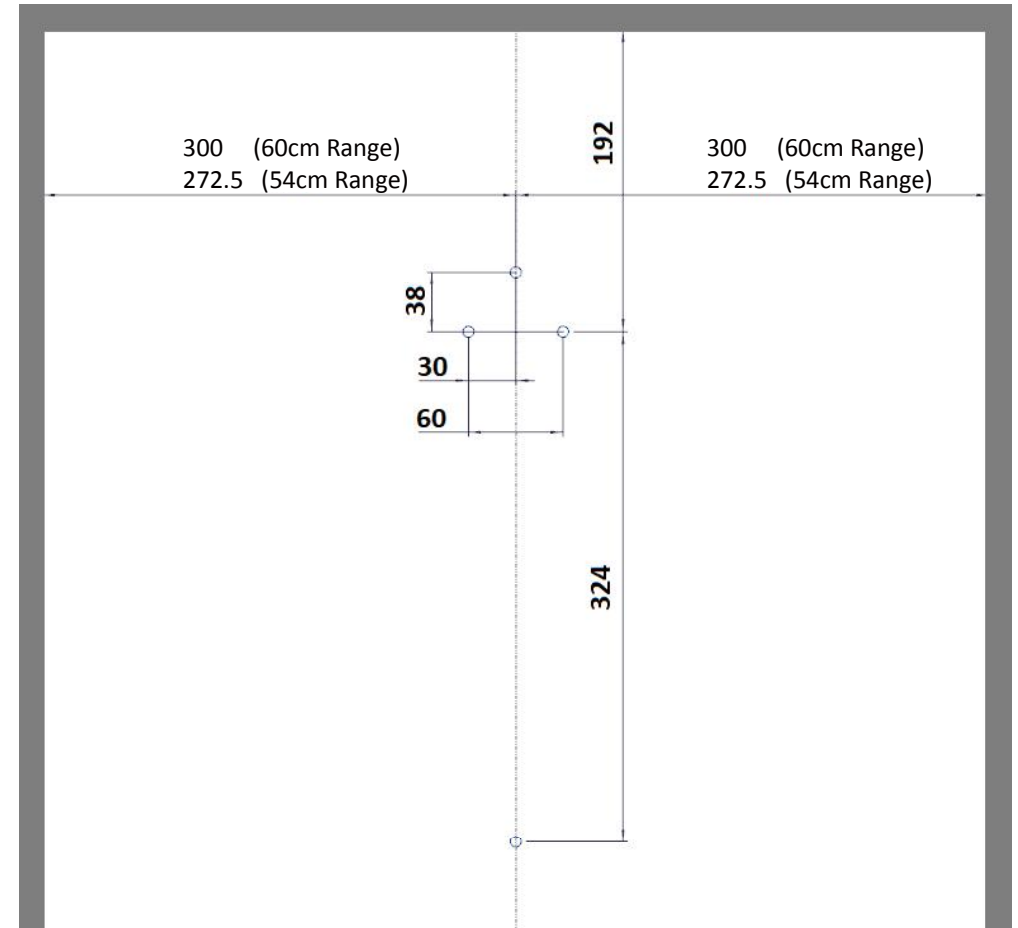
Installing the anti-tip device

Step 1

Drill 4 holes on to ground at the back of where the freestanding range will be placed according to the dimensions in the pictures.

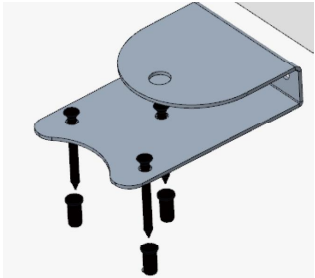
Hole diameter is min $\varnothing 8$ mm depend on the anchor diameter.

Depth of the holes is min 60mm.



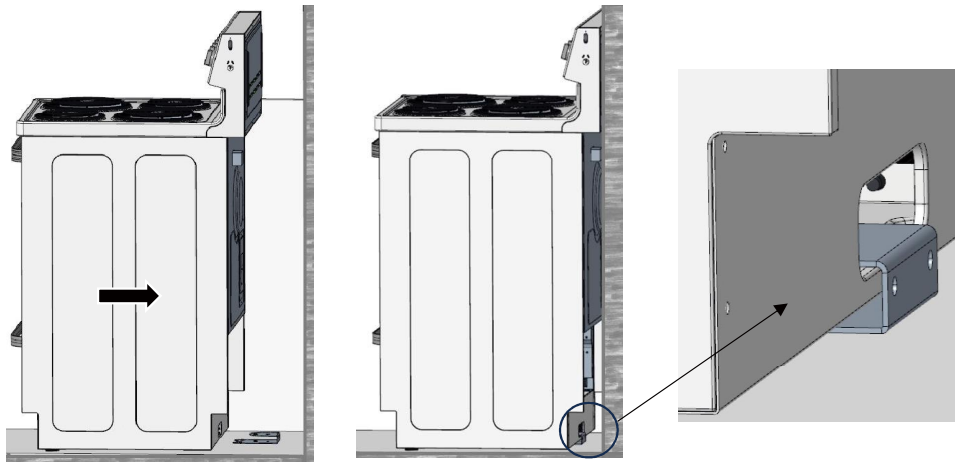
Step 2

Fix the anti-tilt bracket with 3 screws and 3 anchors.



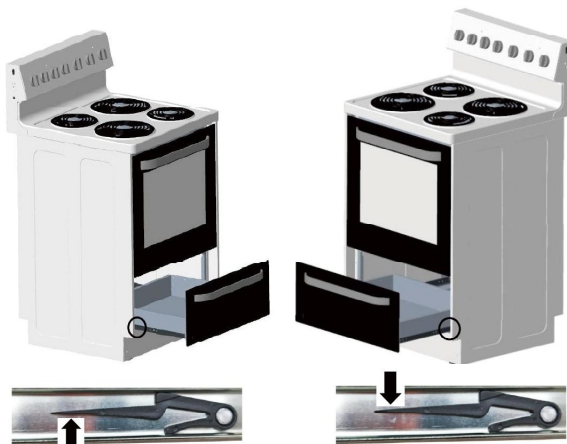
Step 3

Push to product to engage anti-tilt bracket.



Step 4

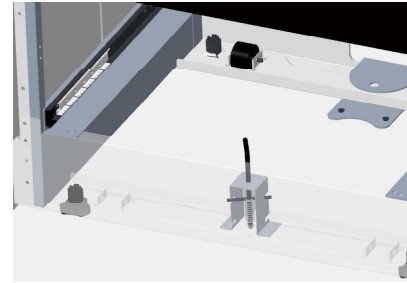
Remove drawer as defined in pictures. Pull out drawer by pushing the bar downwards on the right side and upwards on the left side.

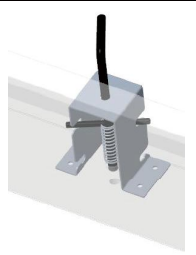
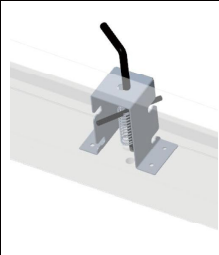
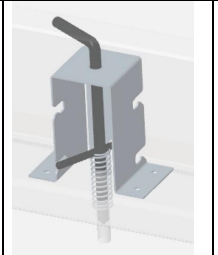
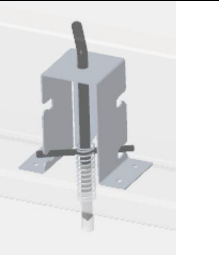
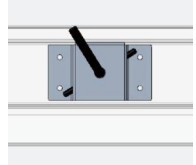
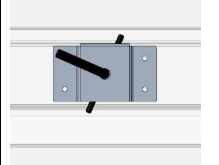
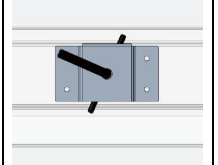
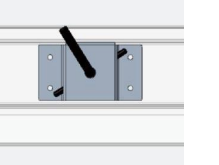


2

Step 5

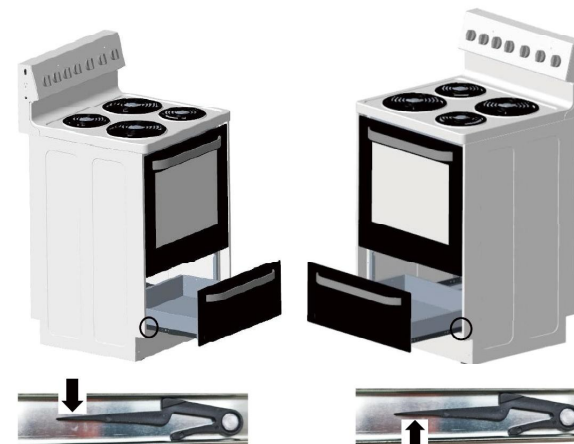
Deadbolt Assembly on the ground at the front of where the freestanding range will be placed.



First Position of Deadbolt	Turn bar to the left to release it from the lock	Push it downwards so that it settles into the hole.	Turn the bar to the right again to ensure that it is locked.
			
			

Step 6

Mount the drawer to the product by reversing the steps in step 4.



3