

HDW13F0S1 - Satina

HDW13F0W1 - White

Freestanding Dishwasher, 13 Place Settings



Haier

Height

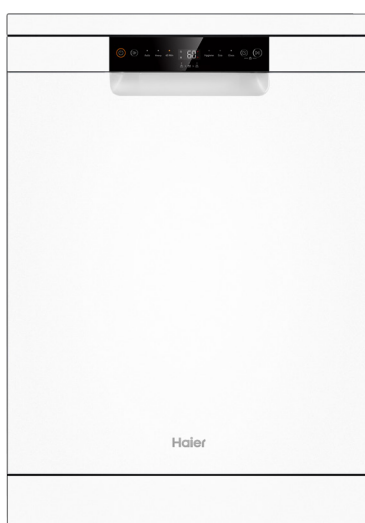
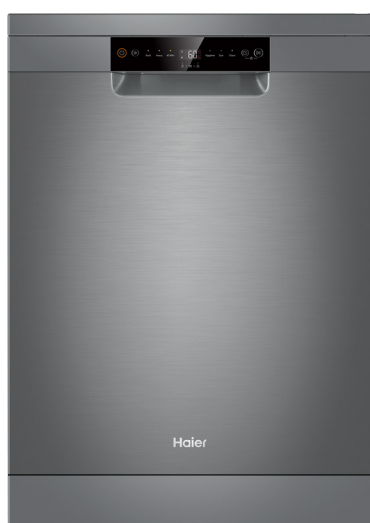
850 - 868mm

Width

597mm

Depth

600mm



FEATURES

- Six wash programs including Auto Wash, Hygiene and Eco
 - Space for up to 13 place settings
 - 4.5 star water rating and 3 star energy rating
 - Adjustable basket to accommodate plates up to 320mm
 - Two foldable cup racks
 - Control panel with LED display and soft-touch buttons
 - Triple filtration technology to filter water throughout the wash
-

ACCESSORIES

Cutlery basket

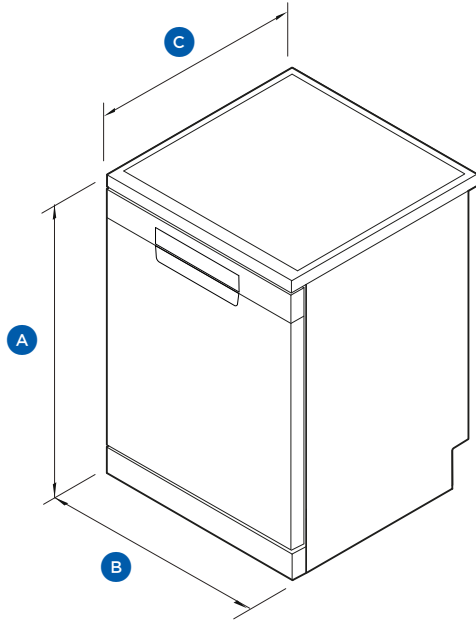
Drain hose support

Inlet hose

The models shown in this Specification Guide (SG) may not be available in all markets and are subject to change at any time. Product specifications may vary from those shown. This SG should not be used as installation guidance for any product. Further information is required to safely and correctly install the products featured here. Specific installation guidance will be available with the product on delivery and on our website haier.com

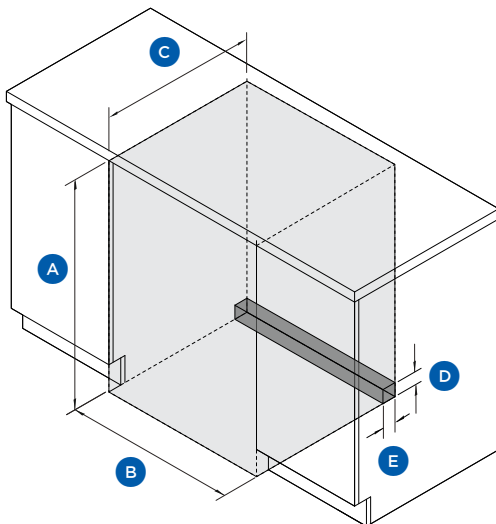
Product overview

PRODUCT DIMENSIONS



		mm
A	Overall height	850 - 868
B	Overall width	597
C	Overall depth	599

CAVITY & SERVICE DIMENSIONS



A	Overall height of cavity	850 - 868
B	Overall width of cavity	600
C	Minimum depth of cavity	600
D	Height of rear plumbing and electrical clearance	100 - 145*
E	Depth of rear plumbing and electrical clearance	60

*Depending on feet height.

SERVICES

Supply	220-240V, 50Hz, 10A
Plumbing	3/4 BSP (20mm) connector water inlet hose Min. 34.5kPa, max 1034kPa Cold water connection 22C

The models shown in this Specification Guide (SG) may not be available in all markets and are subject to change at any time. Product specifications may vary from those shown. This SG should not be used as installation guidance for any product. Further information is required to safely and correctly install the products featured here. Specific installation guidance will be available with the product on delivery and on our website haier.com