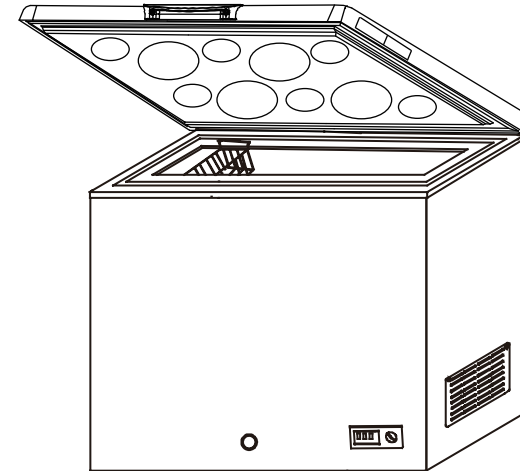


Haier



Manual Defrost

Chest Freezer

User Manual

HCF101

HCF143

HCF201

HCF101W

HCF143W

HCF201W



0070511677

NOTE: Diagrams and figures are only used for reference purposes only.
It may vary due to technical improvements.

IMPORTANT SAFEGUARDS

When using this appliance, always exercise basic safety precautions, including the following:

- 1) Use this appliance only for its intended purpose as described in this use and care guide.
- 2) This freezer must be properly installed in accordance with the installation instructions before it is used. See grounding instructions in the installation section.
- 3) Never unplug your freezer by pulling on the power cord. Always grasp the plug firmly and pull straight out from the outlet.
- 4) Repair or replace immediately, all electric service cords that have become frayed or otherwise damaged. Do not use a cord that shows cracks or abrasion damage along its length, the plug or the connector end.
- 5) Unplug your freezer before cleaning or before making any repairs.
Note: If for any reason this product requires service, we strongly recommend that a certified technician performs the service.
- 6) Do not use any electrical device or any sharp instrument in defrosting your freezer.
- 7) If your old freezer is not being used, we recommend that you remove the lid and leave the shelves in place. This will reduce the possibility of danger to children.
- 8) After your freezer is in operation, do not touch the cold surfaces in the freezer compartment, particularly when hands are damp or wet. Skin may adhere to these extremely cold surfaces.
- 9) Do not refreeze frozen foods, which have been thawed completely.
- 10) This freezer should not be recessed or built-in an enclosed cabinet. It is designed for freestanding installation only.
- 11) Do not operate your freezer in the presence of explosive fumes.
- 12) The refrigerant is flammable. Do not damage the refrigerant circuit.
- 13) The appliance is not intended for use by children or infirm persons without supervision.
- 14) Extreme care must be taken when disposing of your old appliance to avoid hazards. The refrigerant gas must be safely removed.
- 15) It is hazardous for anyone other than an Authorised Service Person to service this appliance. In Queensland-the authorized Service Person MUST hold a Gas Work Licence or Authorisation for hydrocarbon refrigerants, to carry out Servicing or repairs which involve the removal of covers.

Troubleshooting

Freezer Does Not Operate:

- Check if freezer is plugged in.
- Check if there is power at the ac outlet, by checking the circuit breaker.
- Wait for 30-40 minutes to see whether freezer will start. Compressor cycle must be complete to operate.

Food temperature appears too warm:

- Frequent lid openings.
- Allow time for recently added warm food to reach freezer temperature.
- Check gaskets for proper seal.
- Adjust temperature control to colder setting.

Food temperature is too cold:

- If temperature control setting is too cold, adjust to a warmer setting and allow several hours for temperature to adjust.

Freezer runs too frequently:

- This may be normal to maintain constant temperature during high temperature and humid days.
- Lid may have been opened frequently or for an extended period of time.
- Check gasket seal.
- Check to see if lid are completely closed.

Freezer has an odour:

- Interior needs cleaning.
- Foods improperly wrapped or sealed are giving off odours.

SAVE THESE INSTRUCTIONS

DANGER

Risk of child entrapment. Before you throw away your old appliance, remove the lid. Leave the shelves in place so that children may not easily climb inside.

WARNING – Keep ventilation openings, in the appliance enclosure or in the built-in structure, clear of obstruction.

WARNING – Do not use mechanical devices or other means to accelerate the defrosting process, other than those recommended by the manufacturer.

WARNING – Do not use electrical appliances inside the food storage compartments of the appliance, unless they are of the type recommended by the manufacturer.

WARNING – Do not damage the refrigerant circuit.

If the supply cord is damaged, it must be replaced by the manufacturer, service agent or similarly qualified person in order to avoid a hazard.

Do not store explosive substances such aerosol cans with a flammable propellant in this appliance.

This appliance can be used by children aged from 8 years and above and persons with reduced physical, sensory or mental capabilities or lack of experience and knowledge if they have been given supervision or instruction concerning use of the appliance in a safe way and understand the hazards involved.

Children should be supervised to ensure that they do not play with the appliance.

Cleaning and user maintenance shall not be made by children without supervision.

Thank you for using our Haier product. This easy-to-use manual will guide you in getting the best use of your freezer.

Remember to record the model and serial number. They are on a label in back of the freezer.

Model number

Serial number

Date of purchase

Staple your receipt to your manual.

Table Of Contents

	PAGE
IMPORTANT SAFEGUARDS	1
KNOWING YOUR FREEZER	4
INSTALLING YOUR FREEZER	5
Unpacking Your Freezer	5
Adjusting Your Freezer	5
Proper Air Circulation	5
Electrical Requirements.....	6
Install Limitations	6
Use of Extension Cord.....	6
FREEZER FEATURES AND USE	7
Operating Your Freezer	7
Adjustable Temperature Dial.....	7
Super Freeze Switch	7
Food Storage Basket	8
Defrosting And Draining.....	9
Food Storage Information	10
Normal Operating Sounds	10
PROPER FREEZER CARE AND CLEANING	11
Cleaning and Maintenance.....	11
Power Interruptions	12
Vacation and Moving Care.....	12
Disposal and Recycle.....	12
TROUBLESHOOTING	13

Power Interruptions

- Occasionally there may be power interruptions due to thunderstorms or other causes. Remove the power cord from AC outlet when a power outage occurs. When power has been restored, replug power cord to AC outlet. If outage is for a prolonged period, inspect and discard spoiled or thawed food in freezer. Clean freezer before reusing.

Vacation and Moving Care

- For long vacations or absences, empty food from freezer, clean the door gaskets, according to "General cleaning" section. Prop lid open, so air can circulate inside. When moving always move the freezer vertically. Do not move with the unit lying down. Possible damage to the sealed system could occur.

Disposal and Recycle

- Extreme care must be taken when disposing your old appliance to avoid hazards:
 - The flammable refrigerant gas must be safely removed.
 - The thermal insulation foam contained in this appliance is produced by flammable blowing gases, any exposed foam may be highly flammable and must be carefully treated during disposal.
 - The lid should be removed, if possible and the basket left in place so that children may not easily climb inside.

Proper Freezer Care and Cleaning

Cleaning and Maintenance

Warning: To avoid electric shock always unplug your freezer before cleaning. Ignoring this warning may result in death or injury.

Caution: Before using cleaning products, always read and follow manufacturer's instructions and warnings to avoid personal injury or product damage.

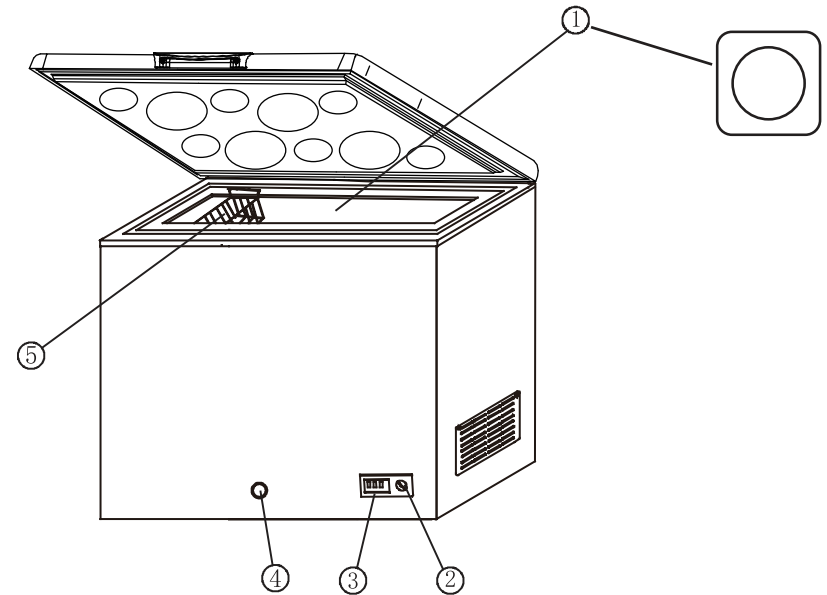
General:

- Prepare a cleaning solution of 3-4 tablespoons of baking soda mixed with warm water. Use sponge or soft cloth, dampened with the cleaning solution, to wipe down your freezer.
- Rinse with clean warm water and dry with a soft cloth.
- Do not use harsh chemicals, abrasives, ammonia, chlorine bleach, concentrated detergents, solvents or metal scouring pads. Some of these chemicals may dissolve, damage and/or discolour your freezer.

Door Gaskets:

- Clean door gaskets every three months according to general instructions. Gaskets must be kept clean and pliable to assure a proper seal.
- Petroleum jelly applied lightly on the hinge side of gaskets will keep the gasket pliable and assure a good seal.

Knowing Your Freezer Parts and Features



1. Interior Drain Plug (see insert)
2. Temperature Control Adjustment
3. Control Panel
4. Exterior Drain Plug
5. Vinyl Coated Wire Basket

HCF101* - 185kWh/year, total gross volume 101L;
HCF143* - 220kWh/year, total gross volume 143L;
HCF201* - 249kWh/year, total gross volume 201L;

NOTE: Diagrams and figures are only used for reference purposes only.
It may vary due to technical improvements.

Installing Your Freezer

This appliance is intended to be used in household and similar applications such as

- staff kitchen areas in shops, offices and other working environments;
- farm houses and by clients in hotels, motels and other residential type environments;
- bed and breakfast type environments;
- catering and similar non-retail applications.

Unpacking your Freezer

- Remove **all** packaging material. This includes the foam base and **all** adhesive tape holding the freezer accessories inside and outside.
- Inspect and remove any remains of packing, tape or printed materials before powering on the freezer.
- Clean the appliance with warm water and liquid detergent.
- Before loading food allow the appliance to run empty for 2-3 hours to allow the compartment to cool.

Adjusting your Freezer

- Your freezer is designed for freestanding installation only. It should not be recessed or built-in.
- Place the freezer on a floor strong enough to support it fully loaded.
- When moving the freezer, never tilt it more than a 45-degree angle. This could damage the compressor and the sealed system.
- If the freezer is tilted let it stand in an upright position for at least 24 hours prior to plugging in. This is to allow the refrigerant oil to settle.

Proper Air Circulation

- To assure your freezer works at the maximum efficiency it was designed for, you should install it in a location where there is proper air circulation, plumbing and electrical connections.
- The following are recommended clearances around the freezer:
Sides.....4" (102mm)
Back.....4" (102mm)

Food Storage Information

- Wipe containers before storing to avoid needless spills.
- Hot food should be allowed to cool before storing in the freezer. This will prevent unnecessary energy use.
- When storing meats, keep in the original packaging or rewrap as necessary.
- Never store volatile or flammable materials in your appliance as they may explode.
- Never freeze liquids in glass containers or carbonated drinks as they may explode.
- Proper freezer storage requires correct packaging. All foods must be in packages, which do not allow the flow of air or moisture in, or out. Improper storage will result in odor and taste transfer and will result in the drying out of the improperly packaged food.
- Follow package or container instructions for proper storage.

Packaging Recommendations:

- Plastic containers with air tight lids
- Heavy duty aluminum foil
- Plastic wrap made from saran film
- Self-sealing plastic bags
- Do not refreeze defrosted/thawed foods
- It is recommended that the freezing date be marked on the packaging

Normal Operating Sounds You May Hear

- Boiling water, gurgling sounds or slight vibrations that are the result of the refrigerant circulating through the cooling coils.
- The thermostat control will click when it cycles on and off.

Defrosting and Draining the Freezer

- Defrost whenever the frost becomes 1/4" thick. Never use a sharp or metallic instrument to remove the frost/ice as it may damage the cooling coils. (A punctured coil will void the warranty)
- Unplug your freezer. Unscrew the drain plug by turning counterclockwise, Remove the drain plug from the inside of the freezer (see fig. #3a). Defrosting usually takes a few hours. To defrost faster keep the freezer lid open.
- For draining, place a tray beneath the outer drain plug. Pull out the drain dial (see fig. #3b). This will let the water flow out in the tray. When done, push the drain dial in. Re-plug the drain plug inside the freezer compartment. Note: monitor the container under the drain to avoid overflow.
- Wipe the interior of the freezer and replace the electrical plug in the electrical outlet socket and turn back on.
- Reset the temperature control to the desired setting.



fig. # 3a

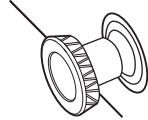


fig. # 3b

Electrical Requirement

- Make sure there is a suitable power Outlet (220-240 volts, 10 amps outlet) with proper grounding to power the freezer.

Install Limitations

- Do not install your freezer in any location not properly insulated or heated e.g. garage etc. Your freezer was not designed to operate in temperature settings below 0°C or above 43°C.
- Select a suitable location for the freezer on a hard even surface away from direct sunlight or heat source e.g. radiators, baseboard heaters, cooking appliances etc. Any floor unevenness should be corrected.
- Do not place on the product on flooring covered with carpet, overly flexible, unstable or easily damaged by moisture.

Use of Extension Cords

- **DO NOT** use extension cords because of potential safety hazards under certain conditions.

WARNING

This appliance may contain a small quantity of environmentally friendly, but flammable, non-synthetic R600a refrigerant:

- Upon installing your product, check that the tubing of the refrigerant circuit is not damaged during transportation.
- Leaking refrigerant may cause eye injuries or ignite.
- The room for installing appliance must be at least 1m³ per 8g of refrigerant. The amount of refrigerant in the appliance can be found on the rating plate the back of the unit.
- Keep ventilation openings in the appliance enclosure or in the built-in structure clear of obstruction.
- Do not damage the refrigeration circuit.
If you are unsure of the refrigerant type check the rating plate on the back of the unit

Freezer Features and Use

Operating Your Freezer

- Once the freezer is in its proper place, plug it in an electrical outlet socket having 220-240 volts and 10 amps.
- Set the temperature, on the temperature control knob. "Min." being the warmest and "Max." being the coldest. To quickly freeze food, set the dial to "Max.", this rapidly reduces the temperature to seal in food freshness. The green control light must always be on when the appliance is connected to the mains and switched on.
- In case you unplug your freezer or experience an electrical outage, allow 5 minutes before plugging it back in.

Adjustable Temperature Dial

Your freezer will automatically maintain the temperature level you select. The temperature control dial has some settings. "Min." is the warmest, "Max." is the coldest. You can adjusting the temperature according to your needs.

(Note: If the freeze has been tilted for any period of time wait 24 hours before plugging the unit in.)

Super Freeze Switch

The super freeze switch (fig.#1b) is on and the thermostat function. The compressor cools until the super freeze switch is turned off again. The switch will need to be turned off within 24 hours. If left on your power consumption will be significantly increased.

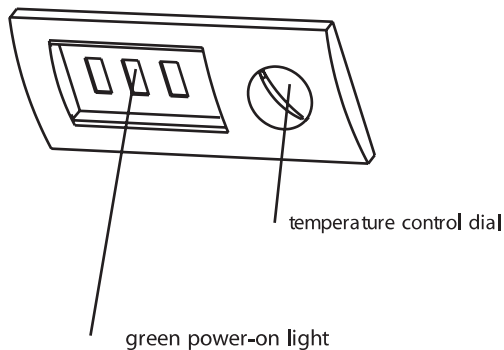


fig. # 1a

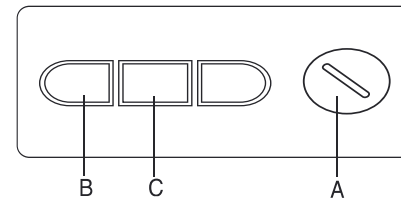


fig. # 1b

- A temperature control dial
- B green power-on light
- C super freeze (yellow light)

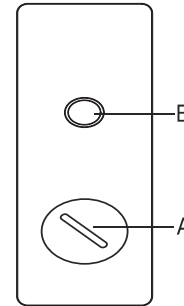


fig. # 1c

- A temperature control dial
- B green power-on light

Food Storage Basket

(see fig. # 2)

- Your freezer has 1 or 2 baskets. The removable basket allows you to store food more accessably or you can remove it if not needed.

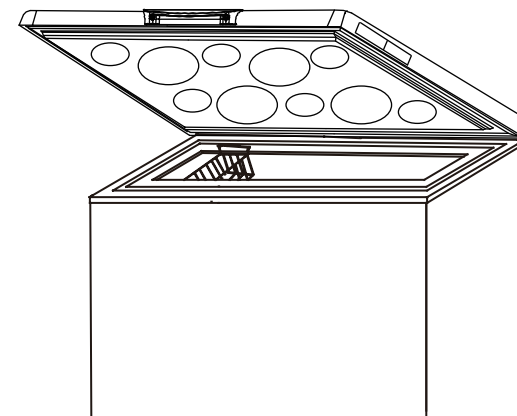


fig. # 2