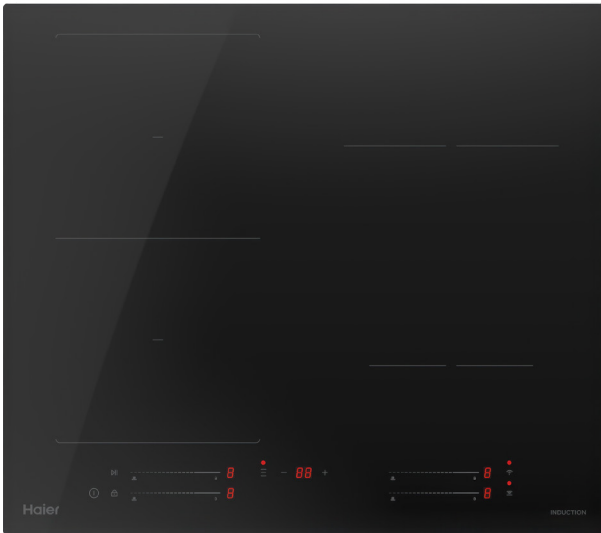


HCI604FTP4

# Induction Cooktop, 60cm

4 Zones with Flexi Zone, Low Current, Connected

Haier



Height

60mm

Width

590mm

Depth

520mm

Weight (Packaged)

10kg

Weight (Product)

8.5kg

## FEATURES

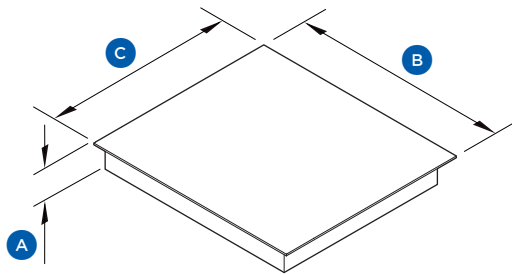
- Sleek black glass finish to suit a range of kitchen designs
- Four cook zones with precise heat control
- Linked hood to hob connection, pairing rangehood extraction with the cookzone power levels, with the cooktop heat via Bluetooth
- With FlexiZone, pair two cook zones to make a large cook surface
- Intuitive touch slider controls for each zone
- Low current 20A/4.5kW model with the potential to replace a gas or electric cooktop using the existing wiring, for cost effectiveness\*
- Energy-efficient induction technology
- Surface remains cool-to-touch until cookware is placed on it
- Instant-response heating for busy lives
- Wi-Fi enabled for easy control using the SmartHQ™ app

\*Specific electrical situations may vary. Please consult with a licensed electrician.

The models shown in this Specification Guide (SG) may not be available in all markets and are subject to change at any time. Product specifications may vary from those shown. This SG should not be used as installation guidance for any product. Further information is required to safely and correctly install the products featured here. Specific installation guidance will be available with the product on delivery and on our website [haier.com](http://haier.com)

# Product Overview

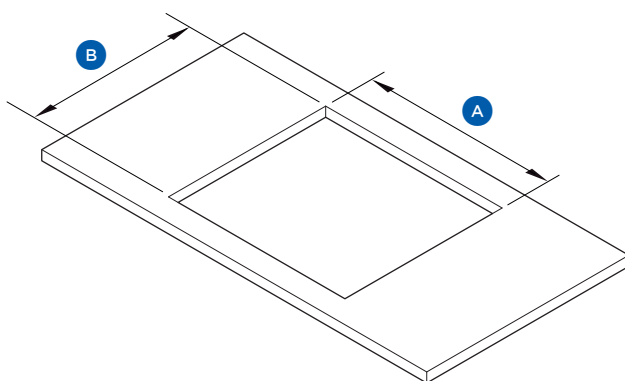
## PRODUCT DIMENSIONS



|                         | mm  |
|-------------------------|-----|
| <b>A</b> Overall height | 60  |
| <b>B</b> Overall width  | 590 |
| <b>C</b> Overall depth  | 520 |

Note: Drawing does not accurately represent the visual features of the product.

## CUTOUT DIMENSIONS



|                                  | mm  |
|----------------------------------|-----|
| <b>A</b> Overall width of cutout | 562 |
| <b>B</b> Overall depth of cutout | 492 |

## SERVICES

- Supply 220-240 V, 50 Hz
- Service 20 A
- Connection Hard wired