



USER GUIDE
HEAT PUMP CLOTHES DRYER

HDHPS70LW1

NZ AU

Haier

Thank you for purchasing a Haier Product.

Please read these instructions carefully before using this appliance. The instructions contain important information which will help you get the best out of the appliance and ensure safe and proper installation, use and maintenance.

Keep this manual in a convenient place so you can always refer to it for the safe and proper use of the appliance.

If you sell the appliance, give it away, or leave it behind when you move house, make sure you also pass this manual so that the new owner can become familiar with the appliance and safety warnings.

Legend



Warning! – Important safety information



General information and tips



Environmental information



Warning: Risk of fire/Flammable materials



Read the instructions

Disposal



Help protect the environment and human health. Put the packaging in applicable containers to recycle it. Help to recycle waste of electrical and electronic appliances. Do not dispose appliances marked with this symbol with the household waste. Return the product to your local recycling facility or contact your municipal office.

Safety information.....	4
Product description.....	9
Control panel.....	10
Dry cycles.....	13
Dry Preparation.....	14
Getting started quickly.....	16
Care and clean.....	18
Before you call for service.....	21
Fault codes.....	22
Troubleshooting.....	23
Installation.....	26
Customer Care.....	31

1-Safety Information

NZ AU

Before switching on your appliance for the first time, read and save this guide.



WARNING!

Meaning of symbols on the dryer



Warning: Risk of fire/Flammable materials



Read the instructions

Before First Use

- Do not operate this machine if it has been damaged during transport. Contact your dealer or Haier service technician.
- Ensure all transport bolts are removed before running the appliance. Failure to do so might end in damage to the appliance.
- Remove all packaging and keep out of reach of children.
- This appliance is heavy, we recommend 2 people to move and install the appliance.
- This product has been designed for personal, family or household use. This product is not designed for any commercial use. Any commercial use will terminate this products manufacturer's warranty.

Daily use

- This appliance is not intended for use by persons (including children) with reduced physical, sensory or mental capabilities, or lack of experience and knowledge, unless they are supervised or given instructions on how to use it by someone responsible for their safety.
- Supervise children to ensure they do not play with the appliance or climb inside the drum.
- Do not swing on or put weight on the door.
- The appliance should only be used for garments recommended for machine drying. Always follow the advice on the care label.
- Do not touch or operate the machine with wet hands or with bare-feet.
- Do not place dripping wet clothing in or on top of the appliance as it may create an electrical hazard.
- Do not use the appliance if industrial chemicals (e.g. solvents) have been used on the clothes.
- Remove all items such as lighters and matches from pockets.
- Pull up zips, fix loose threads and protect embellishments to prevent garments from being damaged and entangled.
- Garments that contain metal reinforcements should not be placed in the appliance. If necessary, use an appropriate laundry bag or net.



WARNING!

Daily use

- The appliance might get hot during operation, use caution if in close proximity.
- Unplug the appliance before undertaking maintenance. Hold the plug (not the cable) when unplugging the machine.
- Ensure there are no undesirable objects inside the drum before starting a cycle.
- Ensure that the ambient temperature is between 5C and 35C before using the appliance.

Intended use

- This appliance is intended for drying garments that can be tumbled.
- Follow the manufacturer instructions found in the garment label.
- Do not make any changes or modifications to this appliance, they might cause personal injury and damages to property.
- Do not install the appliance behind a lockable door, sliding door, or behind a door where the hinge is on the opposite side to that of the dryer in such a way that the full opening of the door is inhibited. Ensure the dryer door can always be opened fully.
- If installed behind a cabinetry door, it must be hinged on the same side as the dryer with a minimum clearance of 30mm from the dryer handle to the internal surface of the cabinetry door. The cabinetry door must remain open while the machine is running.
- Exhaust air must not be discharged into a flue which is used for exhausting fumes from appliances burning gas or other fuels.

Capacity

- Do not overload the appliance beyond its rated capacity:
MAXIMUM DRY CAPACITY: 7 Kg
- Capacity refers to the maximum dry weight of items the appliance can dry at any one time

Dryer Information

- Ensure all lint filters are cleaned before every load.
- Do not operate this product without the lint filter in place or allow lint to accumulate in or around the appliance.
- If the lint filter is damaged, contact your Haier service technician to arrange getting a new filter. Do not operate your appliance with a damaged lint filter or without the filter in place, as this will cause damage to your appliance.



WARNING!

Dryer Information

- If ducting the dryer to the outdoors, ensure adequate ventilation is provided during operation of the appliance to avoid any backflow of gases from fuel burning appliances.
- **WARNING:**The last stage of the drying cycle is a cool down phase. Never stop a tumble clothes appliance before the end of the cycle unless all items are removed and spread out in order to dissipate the heat.
- Do not dry Items which are unwashed.
- Do not dry items which have been cleaned with industrial chemicals. Items that have previously been cleaned in, washed in, soaked in or spotted with flammable liquids or solids, eg petrol/gasoline, kerosene, dry cleaning solvents, vegetable or cooking oil, acetone, denatured alcohol, some brands of spot removers, turpentine, waxes and wax removers or other flammable or explosive substances should not be placed in a tumble dryer.
- Rubber backed articles, foam rubber (latex foam), clothes or pillows fitted with foam rubber pads, fibreglass, shoes containing rubber, plastic, shower caps, babies waterproof napkin covers and waterproof textiles should not be dried in the dryer. These materials when heated can produce fire by spontaneous combustion.
- Do not dry an electric blanket or any other electrical items in your dryer, unless the care label specifically states it is safe to do so. Never dry these items at high temperatures.
- Fabric Softeners or similar products should not be used in a tumble dryer to eliminate the effects of static electricity, unless this practice is specifically recommended by the manufacturer of the fabric softener product.
- Oil-affected items can ignite spontaneously, especially when exposed to heat sources such as a tumble appliance. The items become warm causing an oxidation reaction in the oil. This oxidation creates heat. If the heat cannot escape the items can become hot enough to catch fire. Piling, stacking or storing oil-affected items can prevent heat from escaping creating a fire hazard.
- If it is unavoidable that fabrics that contain vegetable oil, cooking oil or have been contaminated by hair care products be placed in the appliance, they should first be washed in hot water with extra detergent – this will reduce, but not eliminate the fire hazard. The cool down cycle of the appliance should be used to reduce the temperature of these items. They should not be removed from the tumble appliance and piled or stacked while hot.



WARNING!

Maintenance, Cleaning and Disposal

- Keep the gasket, dispenser and door clean to prevent odours.
- Do not use water spray or steam to clean the appliance.
- A damaged electrical cable must be replaced by a Haier service technician or similarly qualified person. Do not use the appliance until it has been repaired to avoid a risk of electric shock.
- The only user-removable parts of the appliance are the lint filter and the condenser filter. No other parts are designed to be removed by the user.
- When disposing of the appliance, it is recommended that the door is removed to avoid children getting trapped inside, and that the electrical cable is cut off close to the machine.
- Unless the product is modified by an approved technician, any changes might result in loss of warranty.

Installation



WARNING! Electric Shock Hazard Failure to follow this advice may result in electric shock or death.

- Ensure that the appliance cable is positioned so that it does not come into contact with water or moisture.
- The appliance must not be supplied through an external switching device, such as a timer, or connected to a circuit that is regularly switched on and off by a utility.
- Install the appliance in a well-ventilated, dust-free environment.
- This appliance must not be installed or operated on a plinth (other than a genuine Haier part, installed per the instructions).
- We do not recommend the use of extension cords or portable electrical outlet devices.
- Ensure the installation provides accessibility to the plug or incorporate a switch in the fixed wiring in accordance with the wiring rules to allow disconnection of the appliance from the supply after installation.
- Review the electrical information on the rating plate before plugging in this appliance to make sure the right voltage and current can be supplied.
- Install the appliance on a solid and level surface ensuring it has 20mm clearance on each side. The appliance must not be installed on any textured floor coverings (eg carpet, rugs).
- We recommend to replace the inlet hoses (if any) every 5 years.



WARNING!

Installation

- A stacking kit **MUST BE USED** between the products and fitted correctly to the washing machine and dryer as per stacking kit instructions.
- Ensure you use the compatible stacking kit for your washer and dryer combination.
- Stacking kits are available through your Haier Brand dealer or online
- Ensure that the power plug is always accessible.
- The following stacking configurations are not safe and **MUST NOT** be used:
 - A washer stacking on top of a dryer.
 - A washer on top of a washer.
 - An incompatible washer/dryer/stacking kit combination.
- **WARNING:** Failure to do so may result in a flood and damage to property.
- Do not expose the appliance to frost, external heat sources or direct sunlight.
- Do not install the appliance in a location where the ambient temperature drops below 5°C.
- Do not install the appliance outdoors or in a damp location.



Notice

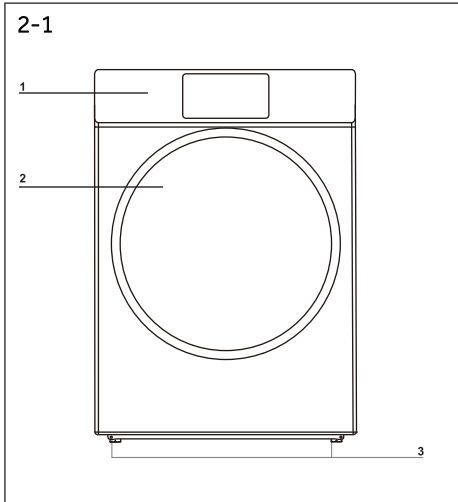
The appliance contains the fluorinated greenhouse gas HFC-134a (GWP:1430). This gas is hermetically sealed.

i Notice

Due to technical changes and different models, the illustrations in the following chapters may differ from your model.

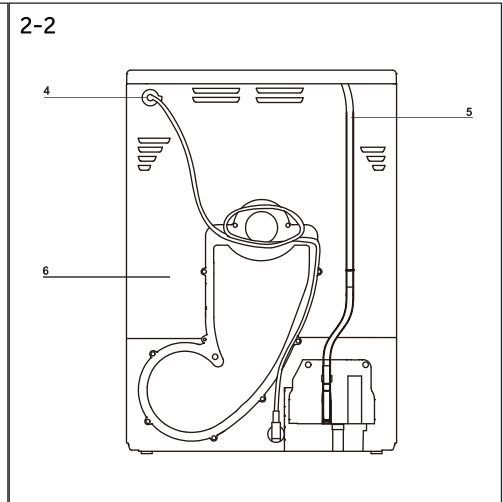
2.1 Picture of appliance

Front (Fig.2-1):



- 1 Control panel
- 2 Door
- 3 Adjustable feet

Rear side (Fig.2-2):



- 4 Power supply cord
- 5 Drainage outlet
- 6 Back plate

2.2 Accessories

Check the accessories and literature in accordance with this list (Fig.2-3):

2-3



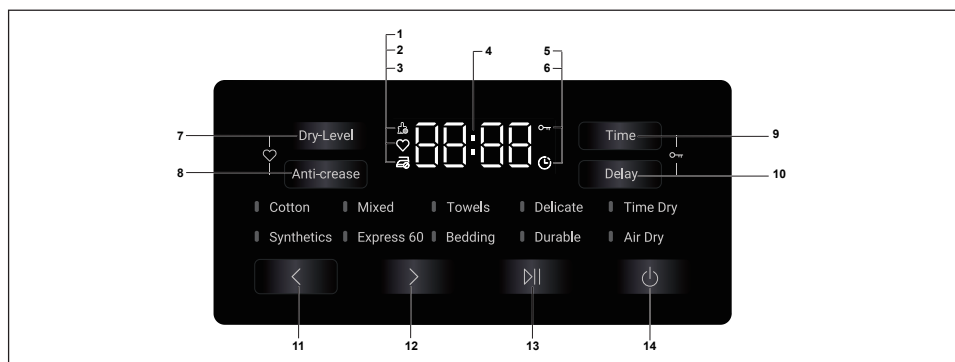
User manual



Warranty card



Drain hose

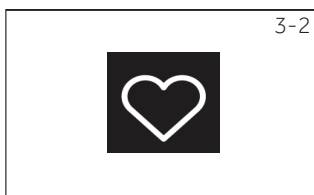


- | | | |
|--------------------------|-------------------|----------------|
| 1 Clean filter indicator | 6 Delay indicator | 11 Left |
| 2 Favorite indicator | 7 Dry Level | 12 Right |
| 3 Anti-crease indicator | 8 Anti-crease | 13 Start/Pause |
| 4 Digital display screen | 9 Time | 14 Power |
| 5 Keylock | 10 Delay | |



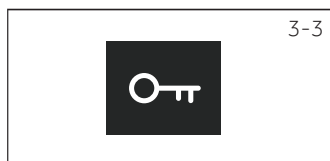
3.1 Clean filter indicator

Filters must be cleaned regularly. See Lint Filter Cleaning or Condenser Filter Cleaning section of the manual.



3.2 Favourite mode

Choose a program and the desirable modifiers, then start the cycle. Press "Dry-Level + Anti-crease" for 3 seconds to save the personalised options. The selection will become the default setting for that program and the Favourite icon (Fig. 4-2) will be ON on the display to indicate it. To restore the default parameters, select "Dry-Level+Delay" for 3 seconds simultaneously, the display will show "dEF" to acknowledge the change. The favourite function is available for all cycles.



3.3 Keylock

Use Key Lock to disable the buttons on the display panel. Key Lock can be used at any time including while a cycle is running. When locked, the controls will be unresponsive except the Power button. Key Lock can be used at any time including while a cycle is running. To select, press Time + Delay (Fig. 4-7). The Key Lock icon will turn ON and the display will show clok to indicate the selection.

3.4 Dry-level

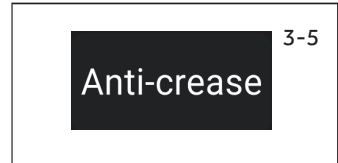
Press the **Dry-Level** button (Fig. 3-4) to change the end dry level of the program.

- H1: Damp/Dry - This setting is recommended for garments that will be finished with an iron treatment.
- H2: Dry - This setting is recommended for the majority of garments; garments can be worn after drying.
- H3: Extra Dry - Use this setting for large, bulky and durable items.



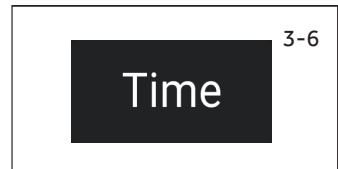
3.5 Anti-crease

Press to set **Anti-crease** function. When the cycle finishes, your dryer will beep and then turn off automatically. If the Anti-crease option has been selected, the drum will rotate periodically to minimise wrinkling and creasing. This is particularly useful if you cannot remove the items immediately after the cycle ends.



3.6 Time

When a timed cycle is selected, using the **Time** button to adjust the time up or down. For timed cycles, the display will show approximately how many minutes the cycle has remaining. For automatic cycles, the word **AUTO** will appear on the screen.



3.7 Delay

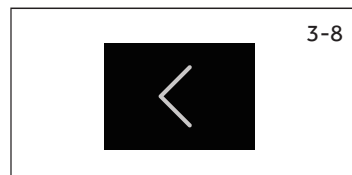
Set a delay time for the cycle to start. Avoid using this function for damp, non-colourfast items as this may cause dye run to occur.

The **Delay** function is available for all cycles.



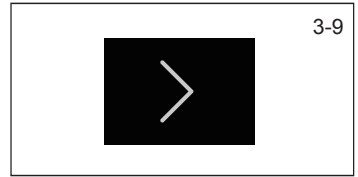
3.8 Left

Select Programs to the left



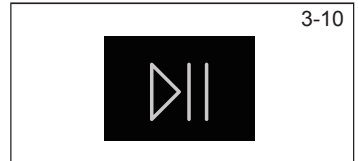
3.9 Right

Select Programs to the right



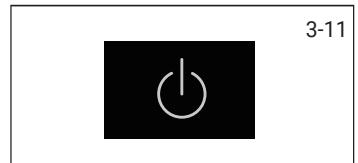
3.10 Start/Pause

Press the **Start/Pause** (Fig. 3-10) to start or pause the selected program.



3.11 Power

Press the **Power** button (Fig. 3-11) to turn ON and OFF the product.



3.12 Mute

Press and hold **Time** and **Delay** combination keys for three seconds to turn OFF or turn On the buzzer, and the display will show "bEEP OFF" or "bEEP On" .



CYCLE	DEFAULT DRY LEVEL	DESIGNED FOR	MAX. LOAD SIZE (KG)
Cotton	H-3	Autosensing cycle for garments made of cotton fabrics.	7
Synthetics	H-2	Autosensing cycle for garments made with synthetic fabrics or synthetic blends.	4
Delicate	H-2	Gentle autosensing cycle for delicate garments.	2
Towels	H-3	Autosensing cycle designed to dry thick, durable and absorbent items such as towels.	5
Mixed	H-3	Autosensing cycle for loads with different types of clothes and fabrics.	4
Bedding	H-3	Autosensing cycle with a reverse pattern designed to dry bed sheets.	3
Express 60	n/a	Fast fixed time cycle to dry small loads of light garments.	1
Durable	H-3	Autosensing cycle designed to dry durable fabrics made of Cotton or synthetic blends.	7
Time Dry	n/a	Timed cycle that uses hot air to dry garments.	7
Air Dry	n/a	Timed cycle that uses cold air to freshen garments.	2

*DEFAULT DRY LEVE : H-3-Extra dry ; H-2-Dry ; H-1-Damp

Registration Cycle

Cotton, Dry level H-2 is the recommended energy saving cycle for everyday drying.

Sorting

Sort items into loads of similar items, and loads that will likely take similar times to dry. This prevents the possibility of some items becoming over-dried whilst others are still damp.

Separate coloured items from white/light items where possible, especially when new. Colour run may be an issue, especially if you intend to delay the start of the drying cycle.

Care labels on garments provide valuable information about the fabric type and how the garment should be dried. Always follow the advice on garment labels.

ITEM/DRYING REQUIREMENTS	SUGGESTED CYCLE	COMMENTS
Towels	Towels	Towels produce a lot of lint and are best dried on their own.
Sheets, pillowcases	Bedding	Ensure openings are buttoned/domed before placing in the dryer.
Delicates, fine fabrics	Delicate	You can further reduce the dryness level to damp for very delicate items
Mixed clothes	Cotton or Synthetic	Ensure the items can safely withstand heat.

Before you load

- Check pockets for items that could damage your clothes or get caught in the dryer. Close zippers, hooks and eyes, and other fastenings (ie fasten the openings of duvet/ doona covers), and remove loose bra wires. These may damage both your dryer and your clothes.
- Items of clothing with screen-printing should be turned inside out to prevent damage to the print.
- Check the lint filter is clean .

Loading

- Garments need to be loaded correctly to minimise creasing and wrinkling, and to ensure the load is dried evenly.
- Allow enough room in the dryer for clothes to tumble freely. Load the dryer in terms of the space the garments take up when dry, rather than when they are wet.
- Shake clothes out and load individually to help items dry evenly and reduce tangling.
- Dry permanent press garments (business shirts) together on the Damp dryness level with Anti-crease option on. This will help reduce wrinkling and the need for ironing.
- Hang garments as soon as the drying cycle is complete to reduce the need for ironing.

Drying times

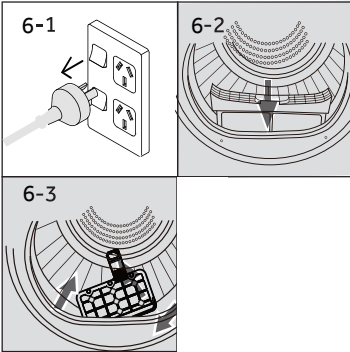
- Drying very small loads is inefficient. Try to dry medium to large loads.
- Heavier items (towels, flannelette sheets) will take longer to dry than light items (synthetics and polyester cotton sheets and shirts).
- Drying times can be reduced by spinning the wash load at the highest spin speed suitable for the load type in your washing machine.
- Check bulky items during the cycle to ensure even drying, pause the dryer and reposition the item if necessary.

Lint

Some items are lint givers, while others are lint collectors. Always dry lint givers and collectors separately.

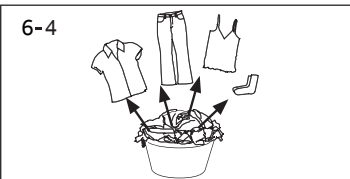
LINT GIVERS	LINT COLLECTORS
Towels	Synthetics, eg polar fleece
Flannelette sheets	Corduroy
	Polyester cottons

Delicate or easily damaged items (eg nylon stockings, fine fabrics, delicate embroidered fabrics) should be dried separately, using the **DELICATE** cycle.



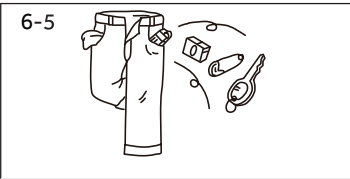
6.1 Preparing the appliance

- Connect the appliance to a power supply(220V to 240V~/50Hz) .
- Make sure:
 - the lint filter is clean and properly installed. (Fig.6-2).
 - the condenser filter is clean and properly installed (Fig.6-3).



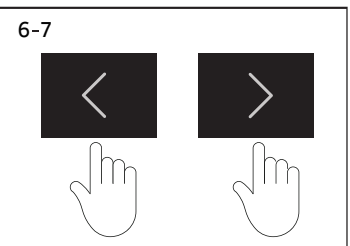
6.2 Preparing the laundry

- Sort clothes according to fabric (cotton,synthetics, wool etc.).
- Empty pockets of all sharp or flammable objects such as keys and matches.
- Follow the instructions on the laundry label and dry loads that can be dried.



6.3 Activate the dryer

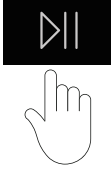
- Press the **Power** button to start the machine



6.4 Set program

1. Select the required program by pressing the **Left** and **Right** buttons, and the LED in front of the corresponding program name will light up
2. Set functions such as **Dry-level**, **Delay**, **Anti-crease**

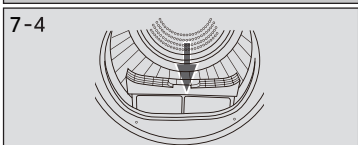
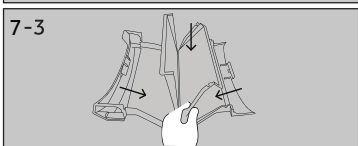
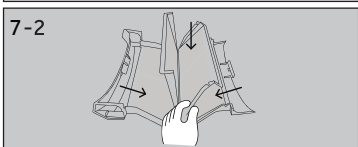
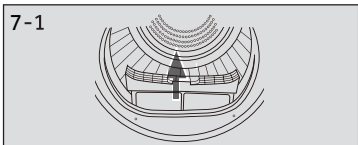
6-8



6.5 Start the cycle

1. Press **Start/Pause** to start the cycle.

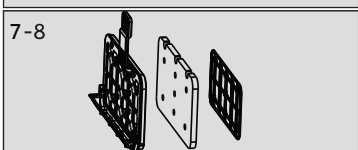
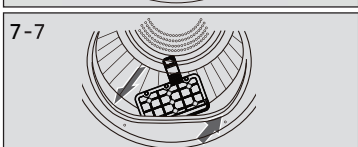
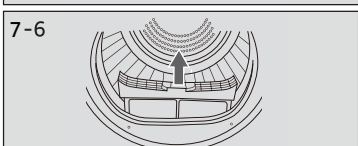
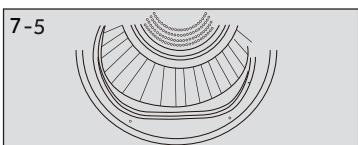
If you wish to change a cycle or select a different option once a drying cycle has started, you should power off and restart the dryer.



7.1 Lint filter cleaning

Clean the lint filter after each dry cycle.

1. Remove the lint filter from the drum (Fig. 7-1).
2. Open up the lint filter (Fig. 7-2).
3. Clean the lint filter from any lint residuals(Fig.7-2).
4. Reinstall the cleaned lint filter in the tumble dryer (Fig. 7-4).



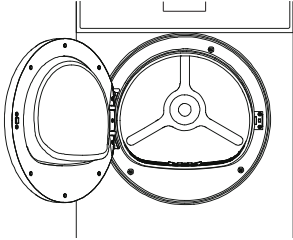
7.2 Condenser filter cleaning

Clean the lint filter after each dry cycle.

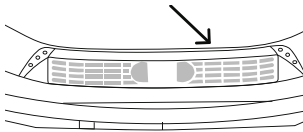
1. Open the door.
2. Pull out the lint filter from its housing(Fig.7-6).
3. Pull out the condenser filter from the air duct(Fig.7-7).
4. Remove the sponge and clean the filter screen from any residuals(Fig.7-7)
5. Reinstall the sponge to the condenser filter (Fig. 7-8)

7.3 Clean the sensors

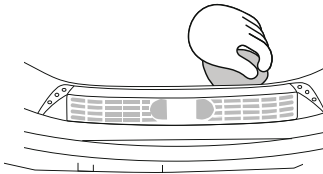
There are sensors in your dryer that detect whether the laundry is dry or not. These sensors need to be cleaned periodically (we recommend approximately four times a year).



1. Open the door of your dryer. Allow the dryer to cool if drying has been carried out.



2. Locate the metal sensors just behind the lint filter.



3. Wipe the sensors with a soft cloth, dampened with vinegar and dry with a clean dry soft cloth.

7.4 Clean the dryer

Wipe the outside of the tumble dryer and the control panel with a damp cloth. Do not use any organic solvent or corrosive agent to avoid damage to the device.


7.5 Clean the Drum

After some operation time, fabric care agents or calcium contained in the water can form an almost invisible film on the inside of the drum. Use a damp cloth and some detergent to remove it. Do not use any organic solvent or corrosive agent to avoid damage to the device.

User warnings

Your dryer is capable of diagnosing a number of its own problems. It will sound a continuous series of beeps and display user prompt when it has a problem that you can correct yourself. To stop the beeps sounding, touch any button on the control panel. Do not try to continue your runing cycle once you stop the noise. You must address the problem the dryer is alerting you to.

Check the below table before you call for service.

NOTIFICATION	WHAT TO DO
<p>CLEAN FILTERS</p>  <p>"cln both Lint FLtr"</p>	<p>Clean lint and condenser filters.</p> <p>Check the lint filter or condenser filter are not damaged.</p> <p>Check there is nothing else trapped in the filters, which may be blocking the air flow.</p> <p>Check the filters are correctly in place in your dryer</p>
<p>DOOR OPEN</p>	<p>Close the door fully and press start</p> <p>Try opening and closing the door again.</p> <p>Reposition the load, make sure the load is correctly in the drum and that protruding item are not preventing the door from closing.</p>
<p>THE LAUNDRY ENVIRONMENT IS TOO COLD FOR THE DRYER TO FUNCTION</p>	<p>The room temperature is too low for the heat pump system to work effectively. Ensure that the room temperature is above five degrees to avoid loss of efficiency.</p>
<p>MAXIMUM CYCLE TIME HAS BEEN REACHED</p>	<p>There are a number of reasons the maximum cycle time has been reached. refer to 'Troubleshooting', 'Dryer is taking too long.'for possible causes and solutions.</p>

Once you have addressed the issue the user prompt was alerting you to, try using your dryer as per usual. If the issue persists, call your Haier trained and supported service technician.

9 - Fault Codes

NZ AU

When a continuous series of beeps sound, all the lights turn off on the control panel and a string of codes appears on the display 'a fault has occurred'. Please call your trained and supported Haier service technician.

PROBLEM	POSSIBLE CAUSES	WHAT TO DO
Small amount of water in the drum at end of cycle	Drain hose is blocked	Check whether the drain hose is blocked. Check the drain hose is still attached at the back of the machine, and is not kinked or squashed.
	Environmental conditions may be affecting dryer operation.	If conditions are particularly hot, humid or cold, it is possible vaporised water may re-condense in the drum or on the inside of the door
Noises	Dryer is overloaded.	Remove some items from the dryer.
	Dryer has a fault.	Continuous beeping or a musical series of beeps with a message displayed on the display. Refer to 'Fault codes'.
	Dryer has not been levelled properly.	Adjust the adjustable foot under the dryer.Refer to 'Levelling the dryer'.
	Dryer makes unfamiliar noises.	At the start of the cycle the dryer may make some unfamiliar noises when the compressor turns on. This is normal.
Vibration	Dryer is not installed on a stable surface.	Ensure the dryer is installed on a flat, stable surface.
	Dryer is not level.	Ensure the dryer is correctly levelled.
	Dryer is overloaded.	Remove some items from the dryer.
Creasing	Cycle selection not appropriate for the load.	Choose appropriate cycle. Refer to 'Dry Cycles'
	Dryer is overloaded.	Remove some items from the dryer.
	Dry Level selected too high for load type.	Try selecting a lower Dry Level.
Dye transfer	White/light and coloured items not separated before drying.	Remember to separate white/light and coloured items before placing them in the dryer.
	Wet items left sitting in the dryer for long periods of time before drying.	Refer to 'Sorting' for tips to prevent dye transfer.

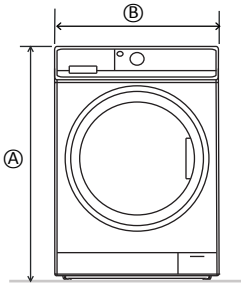
PROBLEM	POSSIBLE CAUSES	WHAT TO DO
Linting	Lint filter not cleaned or replaced.	Ensure the lint filter is cleaned after every cycle and replaced correctly. Refer to 'Cleaning the filters'.
	Loads not sorted correctly.	Dry lint-giving items separately from lint receivers. Also, dry similar colours together, eg light coloured items with light coloured items, dark items with dark items. Refer to 'Sorting'.
	Clothes over dried.	Over drying clothes in the dryer can cause them to attract lint. Use an auto sensing cycle or ensure you check your load if using the time dry cycles to avoid over drying.
Fabric damage	Instructions on care label not followed.	Follow the instructions on the care label of the items.
	DRYNESS LEVEL selected not appropriate for the fabric type.	Ensure the DRYNESS LEVEL selected is appropriate for the fabric type. Refer to the items care label.
	Metal parts on the items or in the load.	Fasten zips and other clasps before placing items in the dryer.
	Items not separated or dried on an appropriate cycle for the fabric type.	Dry similar items together. Ensure an appropriate cycle is selected.
	Used a TIME DRY cycle and did not monitor the dryness of clothes during the cycle.	Ensure that clothes are checked for dryness during the cycle when using the timed programmes to avoid over drying.

PROBLEM	POSSIBLE CAUSES	WHAT TO DO
Tangling	Loads not separated during loading.	Try separating out larger items from smaller items.
	Items loaded into the dryer incorrectly.	Load items individually into the dryer. Do not place folded items in the dryer.
	Load size too large.	Try drying smaller load sizes. Some cycles have a lower maximum load size. Refer to "Drying cycles".
	Sheets and duvet/doona covers due to their size, are prone to tangling.	Dry sheets and duvet/doona covers separately from other laundry, apart from towels. Ensure duvet/doona covers are buttoned or fastened closed before drying. Try adding a knotted towel to sheets loads if you are experiencing a lot of tangling.

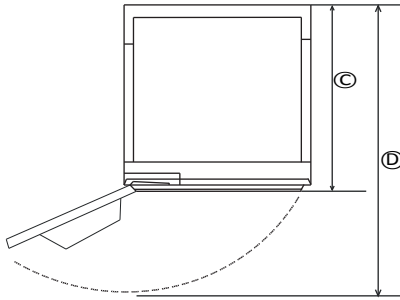
11-Installation

NZ AU

Product dimensions



FRONT



PLAN

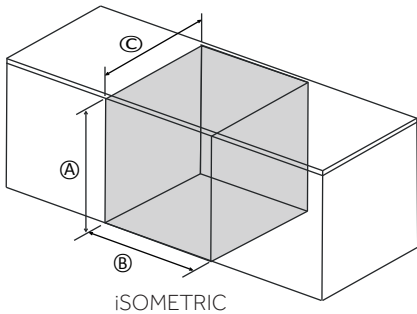
PRODUCT DIMENSIONS

- | |
|---------------------------------|
| (A) Overall height* |
| - Min : 845mm |
| - Max : 850mm |
| (B) Overall width : 595mm |
| (C) Overall depth : 590mm |
| (D) Depth of open door : 1040mm |

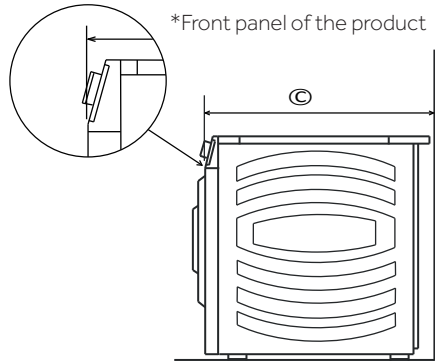
*Exact height is dependent on foot adjustment

**Including dial and door (when closed)

Cavity and clearance dimensions



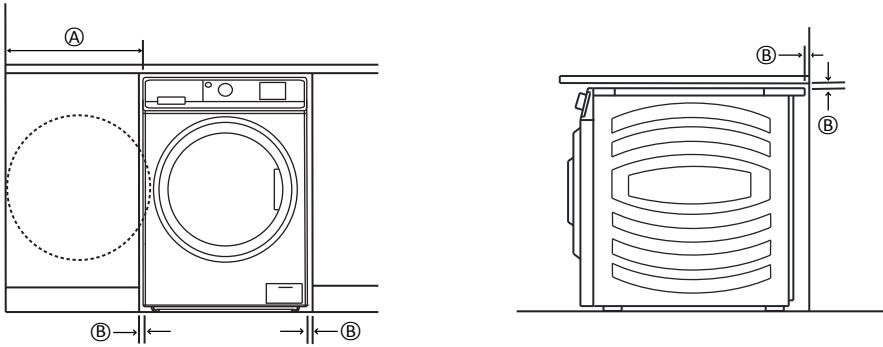
iSOMETRIC



*Front panel of the product

CAVITY DIMENSIONS

- | |
|-------------------------------------------------|
| (A) Minimum cavity height : 870mm |
| (B) Minimum cavity width : 635mm |
| (C) Minimum cavity depth |
| - Flush with front panel of the product : 615mm |
| - In cupboard : 645mm |



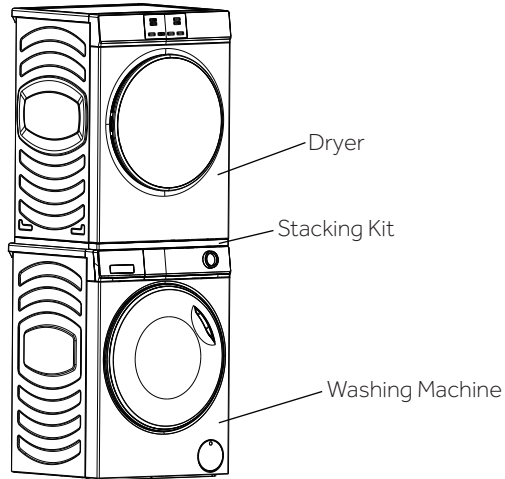
CLEARANCE DIMENSIONS

Ⓐ Minimum washer door clearance to adjacent wall :298mm

Ⓑ Minimum gap clearance to adjacent product or cabinetry : 20mm

*Applies to sides, top and rear

Stacking Installation



-The following washing machine models can be stacked with this machine using a Stacking Kit.

HWF75AW3,HWF85AN1,HWF95AN1,HWF90AN1,HWF10AN1;

-For the stacking installation method, refer to the instructions of the Stacking Kit .

- A stacking kit **MUST BE USED** between the products and fitted correctly to the washing machine and dryer as per stacking kit instructions.

- Ensure you use the compatible stacking kit for your washer and dryer combination.

- Stacking kits are available through your Haier Brand dealer or online

- Ensure that the power plug is always accessible.

-The following stacking configurations are not safe and **MUST NOT** be used:

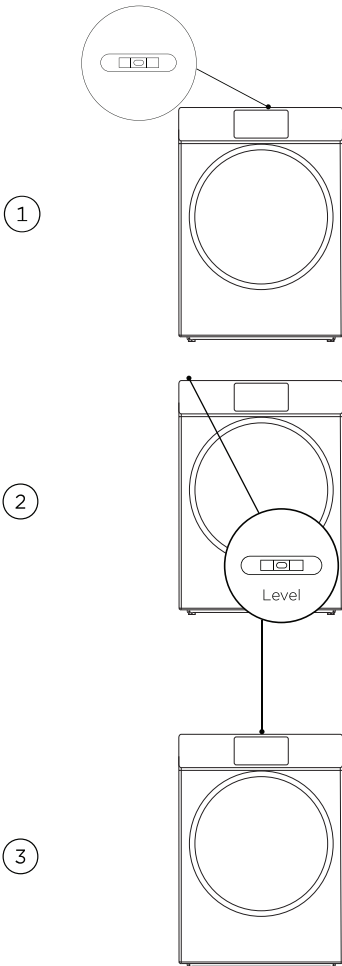
- A washer stacking on top of a dryer.

- A washer on top of a washer.

- An incompatible washer/dryer/stacking kit combination.

Levelling the dryer

It is **IMPORTANT** to level the dryer to ensure the machine runs efficiently with minimal noise. The dryer should be levelled in as close to its final position as possible so it stands balanced evenly on all four feet. Ensure the dryer does not rock in any direction.



Level the dryer side to side:

- Place the level at the centre front of the dryer.
- Adjust the front feet until the dryer is level side to side.
- Never unscrew the feet completely from their housings.

Level the dryer front to back:

- Place the level on the left side.
- Adjust the front left foot (wind down).
- Repeat the above for the right foot.
- There should be equal weight on both front feet.

Re-check the dryer is level:

- Place the level at the centre front of the dryer
- Ensure dryer does not rock in any direction.
- If dryer is not level repeat the above steps.

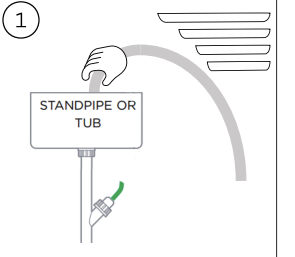
After levelling, the corners of the dryer cabinet should be clear of the floor and the dryer must not rock in any direction.

Drain Hose

Your dryer is equipped with a condenser unit which accumulates water during the drying cycle and must be plumbed to a drain.

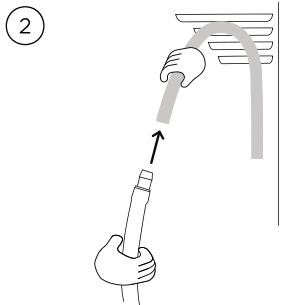
Draining must comply with local by-laws, if in doubt, consult a plumber.

Connecting the drain hose



Unclip the drain hose on the back of the product and connect it to a standpipe or tub.

Do not put the drain hose in a position that the end will become submerged in water (for example in a bucket), this will prohibit the product from draining water.



If additional length of hose is required, a hose extender is included with your dryer, uncoil the extender and plug the 2 hoses together.

If draining in the same location as a Haier washing machine it is recommend having a $\varnothing 38\text{mm}$ standpipe or larger to accommodate both drains.

Maximum distance to standpipe when located on the left 2.2m

Maximum distance to standpipe when located on the right 1.6m

Check for leaks after the first cycle.

Regularly check that your tub or standpipe is free from lint or other obstructions. This may affect operation or cause flooding.

Customer Care

We recommend our Haier Customer Service and the use of original spare parts.

If you have a problem with your appliance, please first check the section TROUBLESHOOTING.

If you cannot find a solution there please contact:

- Your local dealer, or
- The Service and Support area at www.haier.com where you can find telephone numbers, FAQs and where you can activate a service claim

Before contacting our service team, ensure that you have the following information available.

The information can be found in the rating plate.

Model No. _____

Serial No. _____

Also check the Warranty Card supplied with the product in case of warranty.

For general business enquiries and for more information, please refer to www.haier.com

HDHPS70LW1

Haier



0180501822