

# Haier

Model:

HCF301 Series



GB

## DECLARATION OF CONFORMITY

The manufacturer of the product/s described herein, to which this description refers, declares on its sole responsibility that the product/s meet the relevant fundamental safety, health and protection requirements of the relevant EU guidelines and that the corresponding test reports are available for examination by the relevant authorities and can be requested from the seller of the appliance, especially with regard to CE Declaration of Conformity issued by the manufacturer or with the manufacturer's approval.

Moreover, the manufacturer declares that the parts of the appliance described in this user manual, which come into contact with fresh food, do not contain any toxic substances.



WARNING: Risk of fire/flammable material

The symbol indicates there is a risk of fire since flammable materials are used.

Taking care to avoid causing a fire by igniting flammable material.

- WARNING: When positioning the appliance, ensure the supply cord is not trapped or damaged.
- WARNING: Do not locate multiple portable socket-outlets or portable power supplies at the rear of the appliance.

This appliance is not intended for use by persons (including children) with reduced physical, sensory or mental capabilities, or lack of experience and knowledge, unless they have been given supervision or instruction concerning use of the appliance by a person responsible for their safety. Children should be supervised to ensure that they do not play with the appliance. If the supply cord is damaged, it must be replaced by the manufacturer, its service agent or similarly qualified persons in order to avoid a hazard.

This refrigerating appliance is not intended to be used as a built-in appliance.

- WARNING: Keep ventilation openings, in the appliance enclosure or in the built-in structure, clear of obstruction.
- WARNING: Do not use mechanical devices or other means to accelerate the defrosting process, other than those recommended by the manufacturer.
- WARNING: Do not damage the refrigerant circuit.
- WARNING: Do not use electrical appliances inside the food storage compartments of the appliance, unless they are of the type recommended by the manufacturer.
- WARNING: Do not store explosive substances such as aerosol cans with a flammable propellant in this appliance.

This appliance is intended to be used in household and similar applications such as

- staff kitchen areas in shops, offices and other working environments;
- farm houses and by clients in hotels, motels and other residential type environments;
- bed and breakfast type environments;
- catering and similar non-retail applications

For appliances which use flammable insulation blowing gases, the instructions shall include information regarding disposal of the appliance.

– Important !

This appliance is designed for domestic use . if it is installed for professional or commercial use, the standards applicable to the respective trade must be observed. The seal of the appliance has been tested as to conform to the relevant legal safety standards.

Should you have bought your new appliance in exchange of an old refrigerator/freezer, please pay attention to the fact ,that it is essential to destroy possibly existing latch- or bolt -locks on the old appliance, before you put it aside .you prevent playing children from locking themselves in. Please have the old appliance ecologically disposed off by a company specialised in environmental protections.(ask your civic centre),since the appliance may contain harmful components in the coolant,which have to be sucked off with a special equipment.

– WARNING: Cabinet edges along stamp/cut-out areas may be sharp.Please avoid placing hands, fingers,or other appendages near these areas.

– WARNING: This refrigerating appliance is optimally intended to be used at ambient temperatures ranging from 16°C to 38°C. The product performance may be compromised when operating outside of this temperature range.

– WARNING: It is hazardous for anyone other than an Authorised Service Person to service this appliance. In Queensland -the authorized Service Person MUST hold a Gas Work Licence or Authorisation fo hydrocarbon refrigerants,to carry out Servicing or repairs which involve the removal of covers.



This appliance contains flammable refrigerant isobutance(R600a)

– Important !

Leave the appliance stand in the final position for at least 2 hours before switching it on,so that the refrigerant circuit stabilises and no operating problems occur.

Do not use washing liquids,sharp or granular cleaning implements,or any cleaning products containing soda.

Escaping refrigerant can injure your eyes.In the event of eye contant with the refrigerant,wash your eyes instantly under plenty of running water and call/consult an eye specialist immediately.

Do not store any bottles containing liquids.Liquid expands when frozen and the bottle can explode.Never keep containers with explosive substances(gas lighters,petrol,ether and the like)in the freezer compartment of the appliance.when storing ready frozen food,you must observe the manufacturer's instructions on the food packaging.

Deep fronzen ice-cream and ice lollies must be eaten only a few minutes after being taken from the appliance to avoid injury to lips and tongue(danger of skin detachment).For the same reason,avoid touching the inner walls with wet hands.We advise you to use defrosted or slightly frozen products within short time.as a rule,such products are not suitable for re-freezing.


– Danger warning

Depending on its composition,the refrigerant is easily inflammable.The refrigerant circuit is hermetically sealed and the density has been subject to repeated tests.An improper intervention can cause acute fire hazard.

Never use electrical appliances to defrost the chest freezer,e.g.hair dryer,fan heater,or devices with a naked flame(e.g.candles).Plastic in the inner compartment can melt and escaping gas can be ignited by sparks or naked flames.

Risk of child entrapment.Before you throw away your old appliance,remove the lid.Leave shelves in place so that children may not easily climb inside.



The symbol  on the product or on its packaging indicates that this product may not be treated as household waste. Instead it shall be handed over to the applicable collection point for the recycling of electrical and electronic equipment. By ensuring this product is disposed of correctly, you will help prevent potential negative consequences for the environment and human health, which could otherwise be caused by inappropriate waste handling of this product. For more detailed information about recycling of this product, please contact your local city office, your household waste disposal service or the shop where you purchased the product.

<b>1</b>	safety information and advice.....	1
<b>2</b>	Drection for use.....	2
<b>3</b>	Indicator-lights.....	2
<b>4</b>	Warning buzzer.....	2
<b>5</b>	Start-up.....	3
<b>6</b>	Freezing/storage of fresh food.....	3
<b>7</b>	Maximum stacking height.....	3
<b>8</b>	Storage time.....	4
<b>9</b>	Cleaning and maintenance .....	4
<b>10</b>	Defrosting.....	4
<b>11</b>	Interior light .....	5
<b>12</b>	Resolving faults on your own.....	5
<b>13</b>	After-sales service .....	5
<b>14</b>	Guarantee .....	6
<b>15</b>	Troubleshooting guide (what is when.....)	6
	Storage Table.....	7
	Components.....	7
	Operating panel.....	7

Please read these instructions for use attentively to get a good and fast understanding of your new appliance. Underline any parts you consider particularly important to you. Look after this document so that you may consult it in future or pass it on to any future owners.

The light cannot be serviced by the user. Contact your Haier trained and supported service technician. Your refrigerator is designed to operate for many years without the need for service checks. However, if your refrigerator is malfunctioning, have it attended to by your Haier trained and supported service technician as soon as possible. All electrical repairs must be carried out by an adequately trained service technician or qualified electrician.

It is hazardous for anyone other than a Haier trained and supported service technician to service this appliance.

The illustration (FIG.) are on the last pages of this user manual.

**1 Safety Information and advice**

Un packing the freezer

- Please ensure that all packaging materials are removed prior to installation and kept out of children’s reach.
- The freezer is supported by a number of materials to prevent damage during transit. Id the freezer is damaged in any way please contact the place of purchase.
- Packaging materials should be disposed of in the correct manner ensuring that it is kept our of children’s reach.

Safety information and advice: Installation

- The mains electricity supply must conform to the rating plate as shown on the appliance
- The freezer must not be connected to the electricity supply during the installation process.
- A dedicated socket with reliable grounding must be provided for the freezer. The freezer’s power cable is fitted with a 3 cord (grounding) plug that fits a 3 cord (grounding) plug socket.
- Ensure that the domestic wiring is properly earthed
- If the power cable is damaged in any way do not connect to the power supply. The cable must only be replaced by either the manufacturer or the authorised service agent.
- The freezer is operated through a 220-240VAC/50Hz power supply. Abnormal voltage fluctuation may cause the freezer to: not start/operate; damage the temperature control; damage the compressor; make a noise when the compressor is operating. To eliminate abnormal voltage fluctuation an automatic regulator should be installed and used in conjunction with this appliance.
- The appliance cannot be installed outdoors, in a damp area or where it may be splashed by water.
- The freezer should be installed in a dry well ventilated room.
- The appliance must be kept away from direct heat sources and direct sunlight.
- Take care not to roll over the power cord when moving the freezer.
- When positioning the appliance, ensure the supply cord is not trapped or damaged.
- The freezer should be placed horizontally on a level, flat and solid surface.
- The ventilation openings should be kept free from obstruction.
- Refrigerant gas can be harmful, and you should wash them in cold water and call/consult an eye specialist immediately
- Ensure that the power cord is not trapped by the freezer or anything else.
- Always ensure that the power supply is switched off prior to conducting any maintenance or cleaning on the freezer.
- Ensure that he plug is easily accessible after it has been installed.
- The use of adapters, multiple connectors and/or extension cables is not recommended.
- Do not locate multiple portable socket-outlets or portable power supplies at the rear of the appliance.
- It is recommended that the freezer be left on and empty for approximalty 2 hours after installation, so that the refrigerant circuit has time to stabilise.

This appliance is not intended for use by persons (including children) with reduced physical, sensory or mental capabilities, or lack of experience and knowledge, unless they have been given supervision or instruction concerning use of the appliance by a person responsible for their safety.

Children should be supervised to ensure that they do not play with the appliance.

## 2 Directions for use

In the following, you will find all the important information for the use of your appliance.

The instructions for use apply to several models, which is why details of the information may differ according to the type of the appliance.

Safety Information and advice: Using your freezer.

- The appliance cannot be installed outdoors or in a damp area. Leave at least 10cm between the freezer and surroundings for ventilation and heat elimination. Leave enough space over the freezer for opening the door and loading the food. Freezer might not operate consistently (possibility of defrosting of contents or temperature becoming too warm in the frozen food compartment) when sited for an extended period of time below +10°C.
- The appliance must be kept away from direct heat sources and direct
  - The internal cavity of the freezer should be dry/dried prior to use.
  - The refrigerant is highly flammable and should not be tampered with. The manufacturer approved service agent only should execute any mechanical works on the freezer.
  - Do not use any electrical, sharp or mechanical objects to assist in defrosting the defrosting process, unless supplied or approved by the manufacturer or approved service centre.
  - Do not use electrical appliances in the freezer.
  - Bottled beers and beverages should not be stored in the freezer
  - Do not allow children or infirm persons to operate the freezer without adult supervision.
  - Children should be supervised to ensure that they do not play with the appliance.
  - The freezer should only be opened using the handles.
  - The door is fitted with a vacuum seal that will release the door for re-opening after about 1-2 minutes. Do not force the door open as this can damage the seal.
  - It is advised that the technical details found on the rating plate be recorded for reference.
  - To prevent the temperature setting dial from being accidentally modified the control has been designed to be resistant to turning. The side of a coin in the slot enable the dial to be turned easily.
  - It is not advisable to touch the inner walls of the freezer with damp or wet hands as this may cause an injury.

Safety Information and advice: Cleaning your freezer

- Always ensure that the power supply is turned off and the unit is un-plugged from the mains, prior to cleaning your freezer.
- To ensure the electrical insulation, do use spray's or splash water over the unit when cleaning it.
- Bottled beers and beverages should not be stored in the freezer
- Do not use abrasive cleaning products on your freezer.

Safety Information and advice: Disposal of the freezer

To avoid accidental entrapment all, all doors, locks, handles, gaskets, cables and plugs should be removed and disposed of in the correct manner the door must be inactive when disposing of the unit.

## Temperature selection

### (Thermostat)(FIG.4)

**To switch on:** Turn the control to the right adjust the temperature to the level you require, between

- **Min.** (slight cooling) and
- **max.** (lowest temperature)

Temperature settings must be in accordance to:

- ambient temperature of the appliance
- quantity of stored foodstuff
- frequency of opening

We recommend a medium setting.

You will soon learn which is the most suitable setting for your requirements.

### ■ Control panel description:

- a. 1~2 Fridge Function (operating temperature range 0°C ~ 8°C)
- b. 3~7 Freezer Function - Deep freeze settings (operating temperature range - 24°C ~ - 0°C)
- c. Super Freeze In super freeze function, the compressor runs continuously without stopping. Food can be cooled quickly. Please notice: Don't continue this function after super freeze.

- Temperature in the chest freezer you use may not be completely consistent with the above data due to different item loading and ambient conditions.

- Temperature in the chest freezer is adjusted by the thermostat switch, "setting 1, 2, 3, 4, 5, 6, 7" does not represent the specific temperature. The smaller the number, the higher the temperature.

### ■ Freezer Function settings:

Setting 3 - 5 is recommended when ambient temperature is higher than 32 °C.

Setting 4 - 6 is recommended when ambient temperature is between 16 °C - 32 °C.

Setting 5 - 7 is recommended when ambient temperature is lower than 16 °C.

Please ensure whether the thermostat switch is set to the appropriate position before use. Frequent change of temperature setting during usage is not recommended.

### ■ Fridge Function

When switching from fridge function (gear 1 or 2) to other freezer function settings, please take out the refrigerated food items in time to prevent the food from freezing.

The following steps can be taken when changing from freezer function to fridge function:

- Adjust the thermostat to fridge function (gear 1 or 2);
- Remove all frozen food items;
- Run empty cabinet for about 1 hour then add refrigerated food items.

Notice:

- 1 Do not store beer and drinks under freezer function (setting 3, 4, 5, 6, 7, super freeze). Please adjust the temperature if you need to use other functions.
- 2 Do not use fridge function when ambient temperature is lower than 5°C.
- 3 When the ambient temperature is lower than 16°C and the cabinet temperature is too high (when previously set as fridge function), gear 6 or 7 is recommended.

### 3 Indicator-lights (FIG.4)

If your appliance is equipped with indicator-lights, the following guide explains what is meant by each light up

- **green** = CONTROL  
The appliance is under current and **operating**

The **green** control light **must always be on** when the appliance is connected to the mains and switched on. It is very important to pay attention to this, because in the event of a power failure, the red and yellow lights stop operating and do no longer provide a warning.

- **red** = ALARM  
**Interior temperature too high**

If the red indicator-light goes on, there may be several reasons for this, namely:

- First start-up of appliance
- Restart after defrosting
- Filling freezer with fresh food

In these cases it is normal that the red indicator-light goes on. It goes off automatically when the interior temperature reaches approximately -15°C.

Switch on the SUPER FREEZE SWITCH (if equipped with) (FIG.4). (switch off again not more than 24 hours later or when the red light has gone off).

The appliance should only be opened after the red light has gone out

If the red control light stays on after 12 to 24 hours, there may be serious problems.

Consult the Troubleshooting guide .

- **yellow** = SUPER FREEZE SWITCH is on and the thermostat function is disabled.

The compressor continues cooling until the SUPER FREEZE switch is turned off again.

### 4 Warning Buzzer (Acoustic alarm)

If your appliance is supplied with a buzzer, it will sound when the red indicator-light goes on. The buzzer is silenced automatically when you turn on the SUPER FREEZER SWITCH.

### 5 Start-up

1. Fully unpack the appliance.
2. Remove the polystyrene parts in the compressor chamber (if supplied).
3. Remove documents and any accessories from the inside of the appliance.
4. Clean the interior with lukewarm water, and dry thoroughly with a cloth.
5. Close the appliance.
6. Insert the plug in the socket
7. Switch on the appliance by turning the temperature control (FIG.4) to the right (For the time being, turn the controller fully to the right to Max position). (**green and red lights go on**).
8. If equipped with a SUPER FREEZE SWITCH, turn it on (**yellow light goes on too**).
9. Do not open the appliance any more for about 4 hours or as long as the red light is on, to allow the temperature in the inner compartment to drop to the necessary level.
10. You can now fill the appliance with any amount of deep frozen food (purchased ready frozen goods). (Consult the following chapter "Maximum stacking height").
11. Turn off the SUPER FREEZE SWITCH again after 24 hours at the latest.
12. If you wish to freeze fresh, unfrozen food, go on to the following section "Freezing/storage of fresh food".

#### Important!

When storing ready frozen food, you must observe the manufacturer's instructions on the food packaging.

## 6 Freezing/storage of fresh food

Useful tip for food storage

Storing food in the freezer

- Hot food should be cooled down to room temperature prior to placing it in the freezer.
- Smaller portions food portions will freeze and defrost faster. The recommend portion size is approximately 2.5kg
- Food should be stored in air tight, sealed containers, food storage bags prior to freezing . Ensure that the storage containers are dry to prevent the sticking together.
- It is advisable to write the date and time limit of food being stored on the container to avoid expiration of the food.
- Only de-frost the required amount of food, as frozen food should not be re-frozen once thawed. Food is better to be encapsulated before storied in the freezer to avoid water loss and odor taint. Warning: Acid, alkali and salt etc., could erode the internal surface of the freezer. Do not place the food having these substances (e.g. sea fish) directly on the internal surface. Salt water in the freezer should be cleaned in time. Do not exceed the storage time(s) recommended by the food manufacturers for any kind of food and particularly for commercially quick-frozen food in the freezer.

### Then continue as follows

- We recommend you place fresh foods in the pre-freezing compartment at the side **(I)** (not all models are equipped) or on the bottom of the freezer. This is the coldest part.  
*Avoid placing fresh foods directly in contact with deep frozen food. Deep frozen food could defrost and may not outlast the foreseen storage time.*
- The capacity of the freezer, as shown on the rating plate, should not be exceeded
- If available, switch on the SUPER FREEZE SWITCH **(FIG.4)** (not absolutely necessary when filling in already frozen (e.g. deep-frozen food) items.
- After 24 hours, move deep-frozen goods from the freezer bottom or the pre-freeze shelf to a hung basket **(K)**, so that the pre-freeze shelf or freezer bottom are available for freezing additional fresh foods.
- Turn off the SUPER FREEZE SWITCH (yellow light goes off).
- Set the temperature control to one of the appliance's relevant filling capacities (see "Maximum stacking height").
- Keep the temperature in the storage shelf **(E)** under control, preferably by placing a thermometer with a scale range of up to  $-26^{\circ}\text{C}$ . **The storage temperature must always be at least  $-18^{\circ}\text{C}$ .**

### Refilling of fresh food (not frozen)

Make sure that you re-fill fresh food, in quantities adequate to the freezing capacity (XXkg/24h) earliest 24 hours after the previous filling.

Super switch should be turned on at least 24 hours in advance when a mass of hot load released, then it should be switch off.

*(do not exceed maximum stacking height)*

## 7 Maximum stacking height

To ensure correct storage of frozen food, never fill the storage shelf **(E)** up to the edge. Always allow space between the lid and the frozen foods.

The largest capacity can reach to the part under the lid.

Set the temperature control **(FIG.4)** strictly according to the filling capacity.

To save energy when operating in normal ambient temperature ( $+18$  to  $+22^{\circ}\text{C}$ ), we recommend the following settings for the temperature control:

<u>Capacity</u> <u>pos.</u>	<u>Stacking mark</u>	<u>Setting</u>
Full	upper	12,00 h
Half full	medium	10.00 h
1/4 or less	lower	08.00 h

## 8 Storage time

The storage time for purchased deep-frozen products varies and depends on the type of product and its packaging. Therefore, strictly observe the producer's instructions on the packaging.

For fresh food that you like to deep freeze, consult the **storage table** at the back of this user manual.

After being defrosted, food must be consumed immediately but latest within the next 24 hours.

## 9 Cleaning and maintenance

For the upkeep of the external appearance of your appliance, now and again clean with furniture polish or other enamel protecting product (never, on any account, use it in the inside. Clean the seal **(B)** with warm water now and again without using any cleaning product.

If your appliance has a condenser **(R)** in the rear inside, from time to time remove dirt and dust. Dust and dirt impede the release of heat from the inner compartment and considerably increases consumption of energy. For best results, use a light brush or duster to remove dust from the condenser on the rear wall.

If you leave your appliance out of use for an extended period (e.g. when on holidays), leave it open to prevent odours building up inside. For appliances with locks: when the chest lid is open, always set the lock in "closed" position and keep the key well away from small children to prevent accidents.

Care is required with regard to frozen food in storage in the event of an extended non-running of the freezer (interruption of power supply or failure of the refrigerating system). A rise in temperature of the frozen food could shorten the storage life.

When **ice and frost layers** form on the inner walls up to a certain thickness, they act as an insulation element and prevent the coldness being released from the inner walls. They must be removed from time to time.

To remove ice from the inner walls, use a plastic or wood scraper without sharp edges. Cover the frozen food with a cloth which aids to collect the scraped ice and enables a simple removal.

## 10 Defrosting

Under normal conditions (3 to 4 openings per day) the freezer must be defrosted once or twice a year (more often in other cases).

Proceed as follows:

1. **Make absolutely sure that you remove the plug from the power socket.**
2. Dry your hands thoroughly to prevent skin damage by contact with ice (it is advisable to use gloves).
3. Remove all frozen food from the freezer, **roll it firmly in newspaper**, put it into the container, place the container in a cool, dry room.
4. Lift the divider **(H)** (not all models are equipped) upwards out of the guide-rail of the freezer.
5. Use the divider (so far as provided) as a defrosting dish and push it on the side under the freezer – where the defrosting water drain-plug is located.
6. If applicable to the freezer you have purchased, pull out the plug for the drainage hose located at the bottom of the freezer. If you do not have a drainage hose then you must wipe away the excess water with a sponge.
7. As previously described, scrape the thickest ice carefully from the freezer inside and put it into the kitchen sink. for defrosting.
8. If necessary, speed up defrosting by placing a large pot of warm (not too hot) water in the freezer
9. Thoroughly clean the inside(**compartment**).rinse it with warm water.
10. Wipe the freezer with an absorbent cloth thoroughly dry and allow to air for about 3 to 4 minutes.
11. Replace the drain-plug (if provided)
12. Empty the dry defrosting water dish (if provided) and slide it into the guide rails of the freezer.
13. Close the freezer door,replace the plug in the cosket and turn the freezer on.
14. Set the temperature control (FIG.1) to maximum setting (**green and red lamps go on**) and switch on the SUPER FREEZE SWITCH(**FIG.4**)(if provided)(**yellow lamp lights additionally**).
15. Now re-fill the frozen food – the oldest items at the top.  
*To prevent frozen food from defrosting, carry out steps from 1 to 17 within max. two hours.  
In this course, a rise in temperature of the frozen food would shorten the storage life*
16. When the red light goes off, reset the temperature control to a as per the filling capacity suitable storage temperature.
17. Switch off the SUPER FREEZER SWITCH (if provided) after about 8 to 12 hours or, latest after 24 hours (**the yellow light goes off**).

## 11 Interior light

(not provided in all models)

A switch is built into appliances equipped with lighting. When the appliance is opened the light goes on automatically and switches off automatically when closed.

The lamp is protected with a transparent cover. Strictly use **15 W max.** replacement bulbs.

To replace the light bulb,first remove the two shade-fastening screws,then unscrew the troubled bulb by turning counterclock wise and replace with a new one of the same specification,and then remount the shade and fasten it up with the screws.

## 12 Resolving faults on your own

High quality manufacturing processes and use of latest cooling and freezing technology will principally ensure trouble-free function of your appliance.

If you suspect any fault, before contacting the approved after-sales service directly or via your dealer, make sure you have observed all instructions and advice in this user manual.

Repairs by the approved after-sales service,centre/agent of faults that have occurred because of non-adherence to the information and advice given in this manual,will be charged to the customer and are not covered by your dealer's guarantee.

### Attention

The compressor **(M)** (also known as motor) must not operate continuously.

It is controlled by the thermostat which you set with the temperature control **(FIG.4)**. It switches on automatically when the set temperature in the storage compartment exceeds and switches off automatically when the correct temperature is reached again.

Noise can be heard from all compressor – cooling system when the compressor is switched on. This noise is produced when the motor in the compressor operates and also by refrigerant flowing in the cooling system circuit. These noises are normal and do not indicate any functional trouble.

**In unheated rooms** and in cold weather condition condensation can build up on the outer walls of the appliance. This does not mean trouble and disappears when the weather becomes warmer.

### Calling the Customers Support Service

Call the approved after-sales service only, if after analysis of possible trouble/fault factors you cannot find any cause for the defect or do not have the means to eliminate the trouble.

Therefore first check under "Trouble shooting"

## 13 After-sales service

Consult the enclosed guarantee card or the separately enclosed after-sales centres list, to see which company is responsible for servicing your appliance. If several after-sales centres are mentioned on the list, select the nearest one to you.

If no after-sales service centres list is enclosed with your appliance, contact your dealer.



In order to receive immediate help, make sure you have ready the following essential data to identify your appliance:

- Brand of appliance
- Model / Type
- Kind of trouble
- Date of purchase
- Purchased from whom?

**14 Guarantee**

Please note the general guarantee terms and the guarantee period are stated in the attached guarantee card.

If the appliance documentation does not include a guarantee card, please contact your dealer.

**15 Trouble shooting**

**a) No function (appliance not running)**

**Attention!**

In the event of problems or of a power failure, the insulation of the appliance walls provides 10 to 12 hours storage time after the beginning of such failures.

**b) Appliance not cooling sufficiently  
Freezing process too long  
Compressor operating too often**

**Possible causes/Remedies:**

If the power failure or fault should continue over the 10-12hr period, it is advisable to remove food and place within another freezer

*The freezer may not have permitted its strading idle perid as stated in the start up sention on the manual. This may be resolved by: turning off the freezer and un-plugging it. Lift the unit up and the replace it back down and allow to stand for 2 hours before tunring it back on. Do not open the freezer during this 2 hour period and for a further 12 hour period thereafter.*

- Is the plug in good condition and is it properly plugged into the socket?
- Is the socket under current?
- The lid of the appliance does not close properly. The seal does not firmly press.

*Test: place a piece of writing paper between the seal and the edge of the chest, and close the lid. It should be difficult to pull out the paper from any side. If you can pull out the paper without any resistance from one ore more sides, notify your approved after-sales service centre*

- Heavy ice formation on the inner walls. (see "cleaning and maintenance")
- The appliance is exposed to direct sunlight or is installed near a heat source (oven, radiator, etc.)  
*Protect the appliance against direct sunlight; check the distance to the heat source; place isolating (see "Installation (Choice of position for installation")*
- The filling of food does not correspond with the excess freezing capacity of your appliance (see rating plate: XXkg/24h) or you did fill in too warm food (see: " Refilling of fresh food" ).

The manufacturer works constantly at the further development of all products. Please therefore bear this in mind as the form, set up and technology are subject to change, without prior notice.

■ **FUNCTION SETTING (If available)**

Press (1) till (5) light up to activate ECO Mode.

Press (1) till (6) light up to activate Super Freeze function.

The Super freeze fun on will be switched off automatically after 56 hours to save energy.

Energy consumption will increase when this function is on.

Press (3) for 3 seconds to lock/unlock the control panel.

Press (4) for 5 seconds to switch on/off the freezer.

■ **TEMPERATURE SETTING**

Press (2) to adjust temperature.

■ **Appliance not working sufficiently/ (7) is on**

Is the lid of the appliance closed properly?

Is there heavy ice formation on the inner walls?

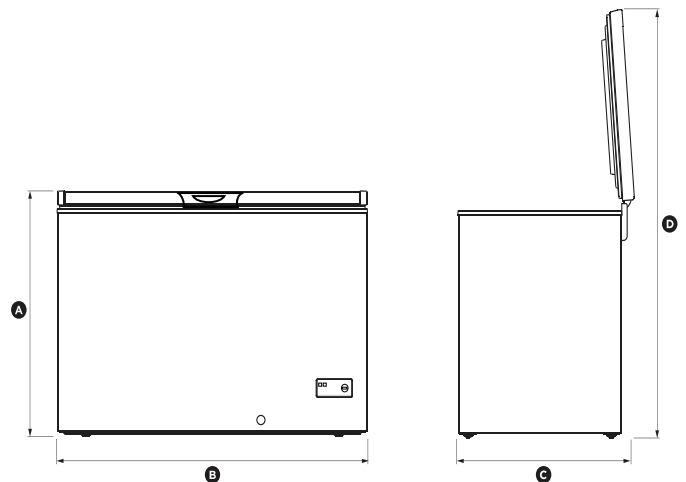
Is the appliance exposed to direct sunlight or heat source?

Have too much warm foods been put in the appliance?

The climatic class can be found on the rating lable in the back of the appliance. It

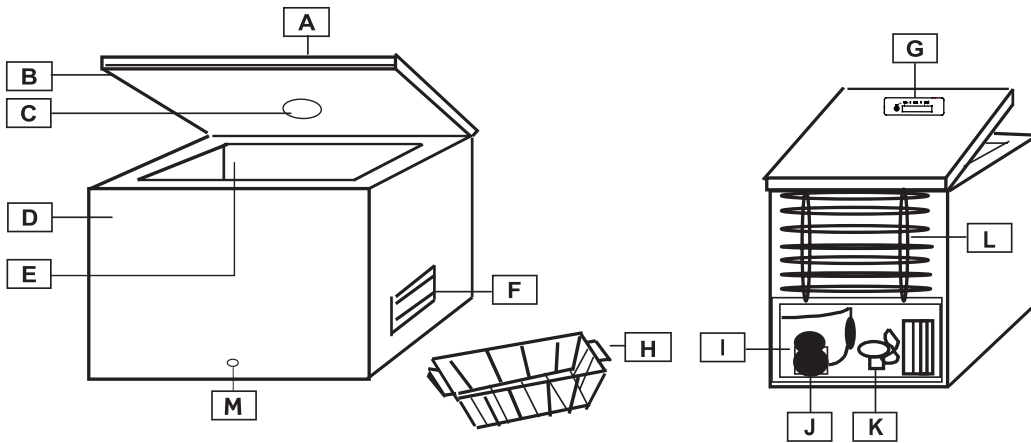
specifies the ambient temperatures at which the appliance will operate correctly.

**16. Product and cabinetry dimensions**

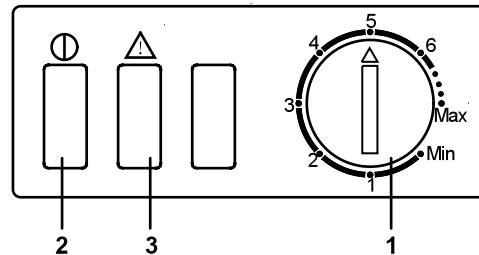
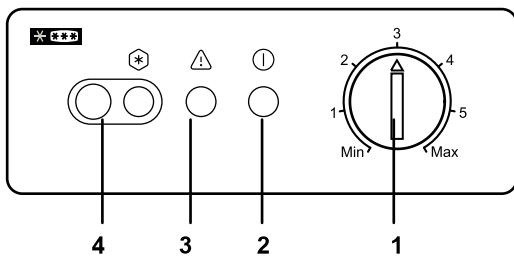
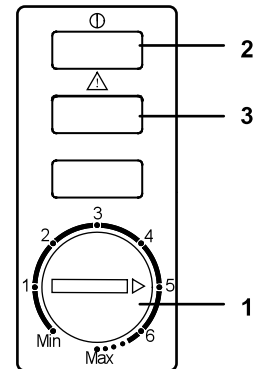
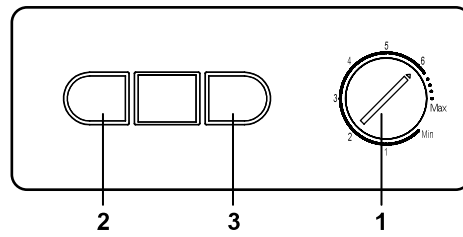
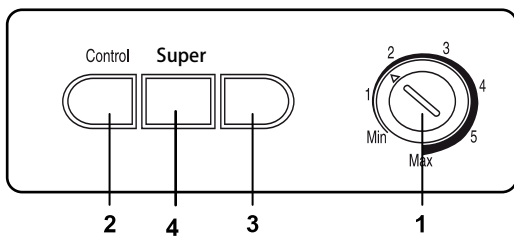
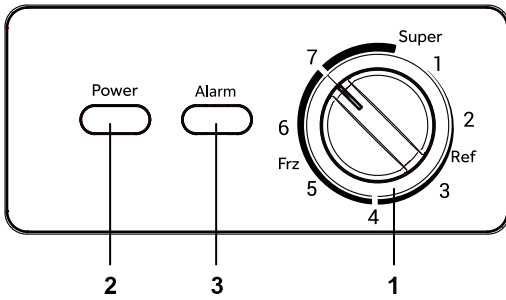
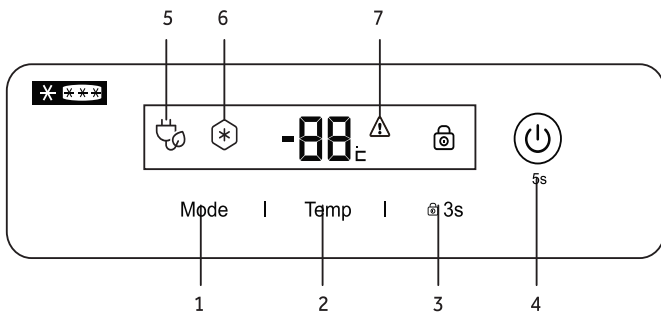


<b>HCF301W</b>	
<b>PRODUCT DIMENSIONS</b>	<b>mm</b>
Ⓐ Overall height of product (when lid closed)	847
Ⓑ Overall width of product	1110
Ⓒ Overall depth of product (including hinges)	620
Ⓓ Overall height of product (when lid open)	1420
<b>MINIMUM CLEARANCES</b>	
Top clearance(when lid open)	150
Side clearance	100
Rear clearance	100

Fresh food	Suitable packaging	approx. storage time in months				
		2-3	4	6	8	10-12
Mince meat	> Polyethylene freezer bag	●				
Sausages	> Polyethylene freezer bag	●				
Small fish	> Polyethylene freezer bag	●				
Heart / liver	> Polyethylene freezer bag	●				
Ice cream	> Plastic container	●				
Fruit	> Plastic container	●				
Cheese	> Polyethylene freezer bag		●			
Bread	> Polyethylene freezer bag		●			
Large fish	> Polyethylene freezer bag		●			
Cake / biscuits	> Glass container		●			
Pork	> Aluminium foil			●		
Beef	> Aluminium foil			●		
Rabbit	> Aluminium foil			●		
Lamb	> Aluminium foil			●		
Mushrooms	> Polyethylene freezer bag			●		
Asparagus	> Polyethylene freezer bag			●		
Vegetables (cut)	> Polyethylene freezer bag			●		
Strawberries	> Polyethylene freezer bag			●		
Flans	> Aluminium foil			●		
Chicken	> Aluminium foil				●	
Turkey	> Aluminium foil				●	
Duck	> Aluminium foil				●	
Goose	> Aluminium foil				●	
Cauliflower	> Polyethylene freezer bag					●
Beans	> Polyethylene freezer bag					●
Pepperoni	> Polyethylene freezer bag					●
Preserves	> Glass container					●
Preserved fruit	> Glass container					●
Ice lollies	> Aluminium foil					●



- A Lid
- B Gasket
- C Interior light (if available)
- D Cabinet
- E Storage compartment
- F Ventilation grille
- G Control panel
- H Basket
- I Compressor chamber
- J Compressor
- K Fan (if available)
- L Back condenser (if available)
- M Defrost water drain plug



- 1 Temperature control (Thermostat)
- 2 Control light
- 3 Alarm light / Light cover
- 4 Super freeze switch and light (if available)

- Light Indicators
- Green = CONTROL (The appliance is running)
  - Red = ALARM (Interior temperature too high)
  - Yellow = Super Freeze indicator (if available)

Qingdao Haier Special Icebox Co.,Ltd.  
Haier Garden,Qianwangang Road,  
Economic Development Zone,Qingdao,  
Shandong 266510, P.R.China

**Download address of electronic manual**  
AU:<https://www.haier.com.au>  
NZ:<https://www.haier.com.au>

0070518449