

The Haier logo is displayed in white text on a dark grey rectangular background in the top right corner of the page.

Haier

# Built-in Integrated Rangehood

---

**Black**

HPH60IMB2 and HPH90IMB2 Models



## CONTENTS

---

Safety and Warnings .....	4
Components Required .....	6
Product Dimensions .....	7
Cabinetry Cutout Dimensions .....	8
Clearances .....	9
Venting Requirements .....	10
Recirculating Venting .....	11
Carbon Filter .....	12
Electrical Requirements .....	13
Preparing For Installation .....	14
Assembling V-Flap .....	15
Installation Rangehood .....	16
Installer Checklist .....	19

**⚠ WARNING!**



**9 kg**  
(HPH60)

**12 kg**  
(HPH90)

**Weight Hazard**

The appliance is heavy. Please ensure adequate care is taken when installing the appliance to prevent personal injury. The rangehood must be installed onto secure cabinetry.

Weight of the products are:

- HPH60IMB is 9kg
- HPH90IMB is 12kg

**⚠ WARNING!**



**Electric Shock Hazard**

Always disconnect the appliance from the mains power supply before carrying out any maintenance or repairs.

Installation work and electrical wiring must be done by qualified person(s) in accordance with all applicable codes and standards, including fire-rated construction. Failure to do so can result in death, electric shock, fire or injury to persons.

**IMPORTANT SAFETY INFORMATION**

**READ THE ENTIRE SET OF INSTRUCTIONS BEFORE INSTALLING OR USING THIS APPLIANCE.**

**WARNING!** When using this appliance always exercise basic safety precautions including the following:

- Read the entire set of instructions before installing or using this appliance.
- Please make this information available to the person installing the appliance — doing so could reduce your installation costs.
- Always switch the power off prior to installation, servicing or cleaning of the rangehood.
- This appliance must be installed and connected to the mains power supply only by a suitably qualified person according to these installation instructions and in compliance with any applicable local building and electricity regulations. Failure to install the appliance correctly could invalidate any warranty or liability claims.
- To comply with electrical safety regulations, the rangehood must be plugged into a socket near the appliance. The socket must be accessible, or have an accessible isolating switch, to enable the end user to isolate the rangehood from the power for the purpose of internal cleaning or maintenance.
- A power outlet should be within 750 mm of the motor assembly and can either be on the wall, behind the chimney or in the ceiling.

## SAFETY AND WARNINGS

---

- If the supply cord of this equipment is damaged, it must only be replaced by the manufacturer, its service agent or similarly qualified person in order to avoid a hazard.
- Ducting accessories are not supplied. All ducting must comply with local requirements and building codes.
- Attention should be given to ensure that any applicable regulations concerning the discharge of exhaust air are fulfilled.
- Before connecting any pipes, consult municipal ordinances to ensure that any applicable regulations concerning the discharge of exhaust air are adhered to and request permission from the person in charge of the building.
- Attention should be given to ensure that any applicable regulations concerning the discharge of exhaust air are fulfilled.
- Before connecting any pipes, consult municipal ordinances to ensure that any applicable regulations concerning the discharge of exhaust air are adhered to and request permission from the person in charge of the building.
- Exhaust air must not be discharged into an existing flue that is used for exhausting fumes from appliances burning gas or other fuels. Range hoods and other cooking fume extractors may adversely affect the safe operation of appliances burning gas or other fuels (including those in other rooms) due to back flow of combustion gases.
- These gases can potentially result in carbon monoxide poisoning. After installation of a range hood or other cooking fume extractor, the operation of flued gas appliances should be tested by a competent person to ensure that back flow of combustion gases does not occur.
- The minimum distance between the supporting surface for cooking vessels on the cooktop and the lowest part of the rangehood shall be 600 mm.
- Glass and painted surfaces are very easily damaged during installation if abraded or knocked by tools. It is recommended to protect the top of the rangehood with cardboard or polystyrene during the installation to minimise the risk of damage occurring.
- To reduce the risk of damage occurring to the cooktop, it is recommended that the surface of the cooktop is protected with cardboard or a similar object during installation of the rangehood.
- This appliance is not intended for use by persons (including children) with reduced physical, sensory or mental capabilities, or lack of experience and knowledge, unless they have been given supervision or instruction concerning the use of the appliance by a person responsible for their safety.
- Children should be supervised to ensure they do not play with the appliance. Cleaning and user maintenance shall not be made by children without supervision.
- You must read the details concerning the method and frequency of cleaning.
- There is a fire risk if cleaning is not carried out in accordance with the instructions.
- Never leave frying food unattended since grease can overheat and catch fire. The risk of fire is even greater in the case of used oil.
- Do not flambé under the rangehood.
- Never use the rangehood without the filters in place.
- During an electrostatic discharge (ESD) it is possible that the device will stop working. By switching the device off and on the device will again work as intended.
- CAUTION: accessible parts may become hot when used with cooking appliances.
- Remove all packaging and protective wrappings, including on the grease filters, before use.

### **IMPORTANT!**

#### **SAVE THESE INSTRUCTIONS**

The models shown in this user guide may not be available in all markets and are subject to change at any time.

## COMPONENTS REQUIRED

---

### TOOLS

---

#### Not supplied

- Phillips screwdriver
- Box cutter

### PARTS

---

#### Supplied and required

- 1x Rangehood
- 1x Installation instructions user guide manual
- 1x Pair v-flap (150mm diameter)
- 2x Black aluminium filters (HPH60IMB2)  
3x Black aluminium filters (HPH90IMB2)

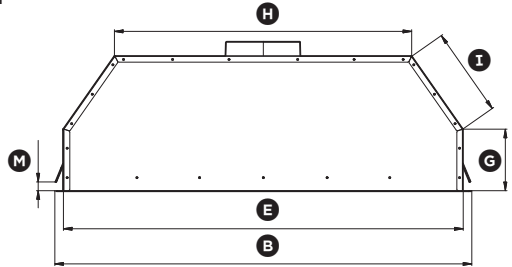
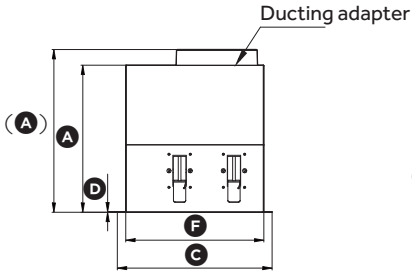
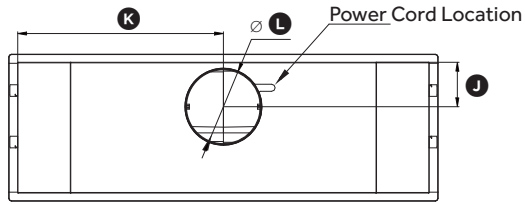
#### Not supplied

- Ducting - 150mm diameter, rigid or semi-rigid
- Aluminium duct tape or cable ties for ducting

#### Optional Recirculation Accessories (when ducting externally not possible)

- 2x Recirculation carbon filters  
H0530060509 (not supplied)
- Louvered vent (not supplied)

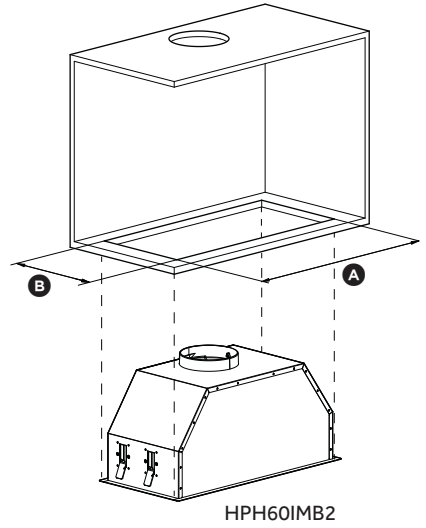
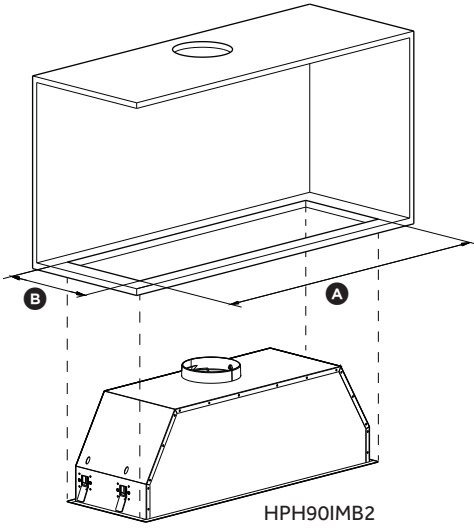
## PRODUCT DIMENSIONS



		HPH60IMB2	HPH90IMB2
		mm	mm
A	Overall height of product (with ducting adapter)	276 305	276 305
B	Overall width of product	520	850
C	Overall depth of product	290	290
D	Thickness of flange	1	1
E	Width of chassis	488	818
F	Depth of chassis	262	262
G	Height of side of chassis	126	126
H	Width of top surface of chassis	275	606
I	Length of angled surface of chassis	182	182
J	Distance from centre of ducting outlet to back of chassis	88	88
K	Distance from centre of ducting outlet to side of chassis	243	408
L	Diameter of ducting outlet	150	150
M	Base of brackets/clips to bottom of chassis	min.15-max.40	min.15-max.40
	Length of power cord	1500	1500

Actual product dimensions may vary by  $\pm 2$  mm.

## CABINETY CUTOUT DIMENSIONS

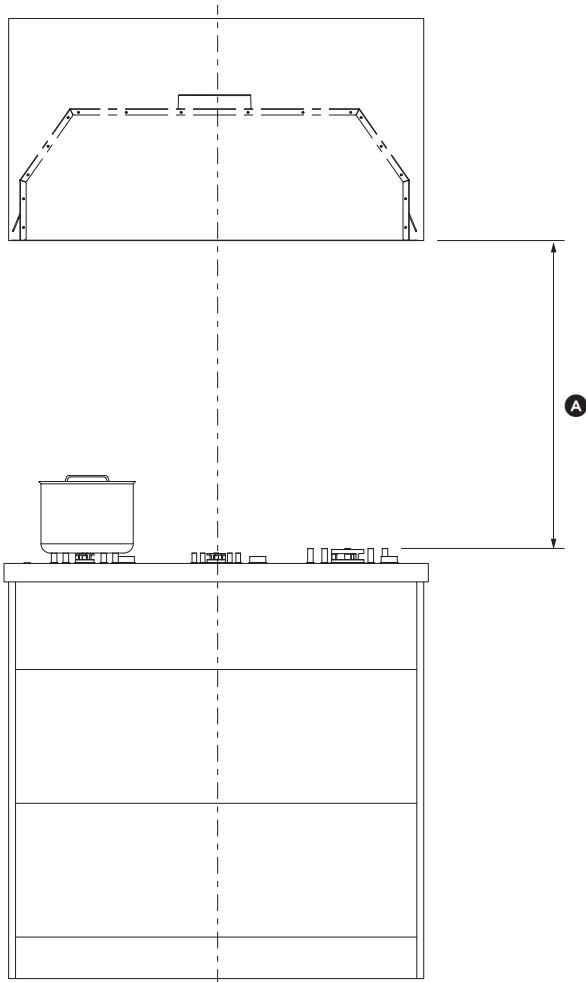


	HPH60IMB2	HPH90IMB2
	mm	mm
<b>A</b> Overall width of cutout	500	830
<b>B</b> Overall depth of cutout	265	265

Actual product dimensions may vary by  $\pm 2$  mm.



# CLEARANCES



## MINIMUM CLEARANCE

HPH60IMB2 and HPH90IMB2

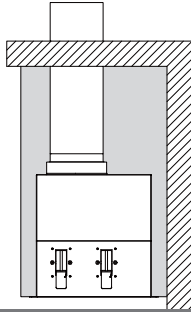
mm

A Height from top of cooktop to base of rangehood

min.600 -  
max. recommended 750

This rangehood must be installed no lower than the minimum height indicated in the table above. Minimum installation height may be greater if required by the cooktop manufacturer or safety and warnings section on this user guide. Installation at the minimum height will improve efficiency of capturing cooking odours, grease and smoke. Installation at the maximum height improves ergonomics by offering increased head room.

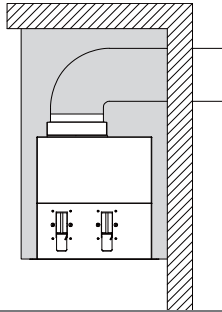
## VENTING REQUIREMENTS



Vent Through Roof

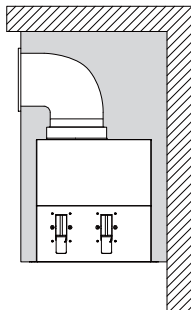
### Vent through roof and vent through exterior wall

For an externally ducted installation it is recommended that 150mm diameter, rigid or semi-rigid ducting is used. Create a hole in the ceiling that's at least 160mm in diameter, ensuring precise positioning for proper installation.



Vent Through Exterior Wall

For optimal efficiency use the shortest and straightest duct route possible to reduce noise and increase airflow.



Recirculate With Carbon Filters

### Recirculating

Where ducting outside is not a practical option, this rangehood can be installed to operate with the air recirculating. Carbon filters are required to remove odours from the air before it is channelled back into the room or overhead bulkhead. Ensure that the ducting outlet is not obstructed, even a partial obstruction will restrict the efficiency of the rangehood.

Note: a ducting hole is not required in the wall or ceiling

## RECIRCULATING VENTING

### IMPORTANT!

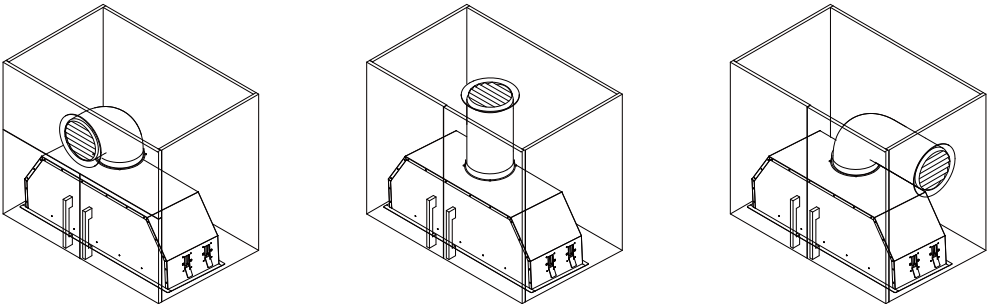
Venting directly into the cabinet with no ducting and louvered vent is not permitted.

#### To recirculate your perimeter insert rangehood

1. Determine the desired location of the 150mm louvered vent on your cabinetry. The louvered vent can be placed on the side or front of your cabinet provided there is sufficient clearance from the surrounding cabinetry to enable ventilated air to recirculate back into your kitchen.
2. Create a cutout in your cabinet to fit the 150mm louvered vent. Place the louvered vent on the hole created and secure.
3. Connect the blower outlet to the louvered vent with a length of 150mm rigid ducting, and secure the joints with aluminum tape. Ensure there is no slack in the ducting.

Placement of the louvered vent on the top of your cabinetry is not recommended. This should only be done if objects can be prevented from falling through the louvers into the blower.

Note: louvered vent not supplied with rangehood.



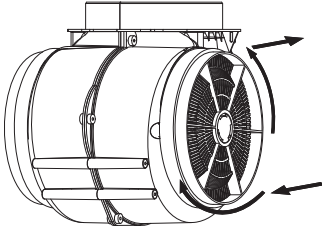
Front, top and side

## CARBON FILTER

---

Carbon filters are for use in recirculating mode. They are disposable and must be replaced at least every three months to ensure the performance of the rangehood. In the event of a fire, grease-laden filters could be flammable.

Before installing or replacing the carbon filters, disconnect the mains power to the unit.



1. Press the filter lock and remove the mesh filter.
2. Turn the carbon filter on both sides of the motor anti-clockwise. Replace the existing carbon filters with the new carbon filters.
3. Replace the mesh filter.
4. Connect the power supply to the wall socket.

## ELECTRICAL REQUIREMENTS

---

Before connecting the rangehood to the power supply, ensure the voltage and frequency indicated on the rating plate match that of the installation location:

MODEL	FREQUENCY	VOLTAGE	TOTAL POWER
HPH60IMB2	50 Hz	220-240 V	223 W
HPH90IMB2	50 Hz	220-240 V	223 W

## PREPARING FOR INSTALLATION

---

### **WARNING!**

- This product is heavy and requires two persons for installation.
- Failure to install the screws or fixing device in accordance with these instructions may result in electrical hazards.

### **IMPORTANT!**

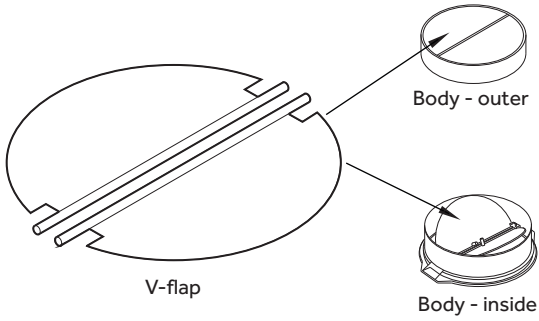
**Wear gloves to protect against sharp edges.**

Manufacturer is not liable for any damage caused by not following these instructions.

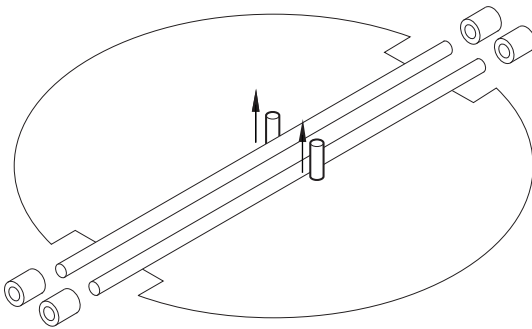
#### **Before installing your rangehood:**

- Unpack the rangehood and check that all functions are working.
- Ensure that the voltage (V) and frequency (Hz) indicated on the serial plate match the voltage and frequency at the installation site.
- The stainless steel and glass surfaces of the rangehood are very easily damaged during installation if grazed or knocked by tools. Take care to protect the surfaces.
- Protect the cooktop surface below with cardboard, or the like, to prevent damage occurring whilst the rangehood is being installed above.

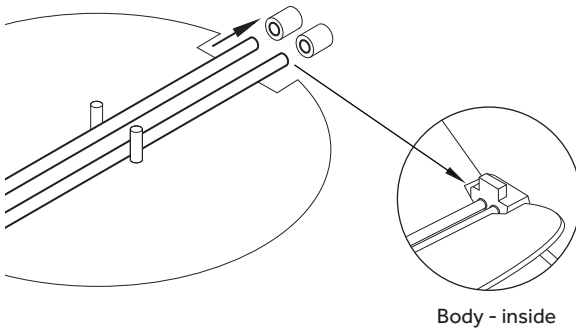
## ASSEMBLING V-FLAP



1. Mount the two V-flap half-parts into the body.



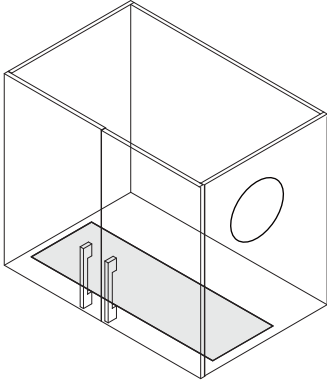
2. The pins should be facing upwards.



3. Insert the axis into the holes on the body.

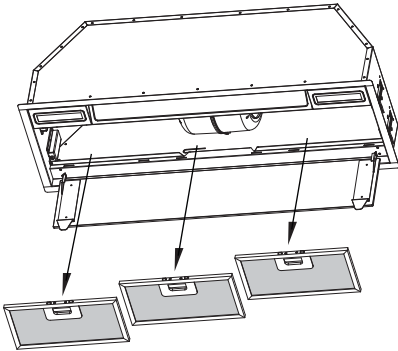
## INSTALLATION RANGEHOOD

---

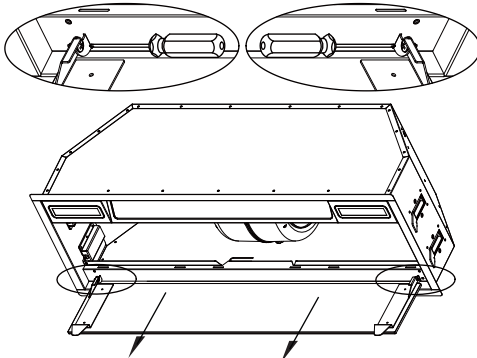


1. Centre rangehood over cooktop and prepare cutout to the required specifications.

Refer to 'Cabinetry Cutout Dimensions' for details.



2. Remove the filters.

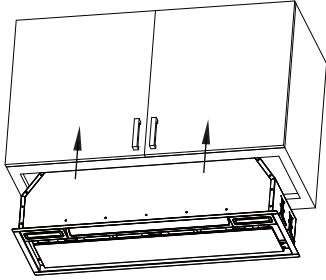


3. Remove the perimeter plate by unscrewing the screws.

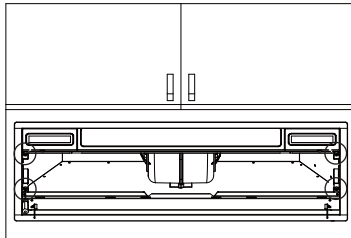
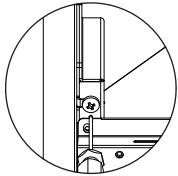


## INSTALLATION RANGEHOOD

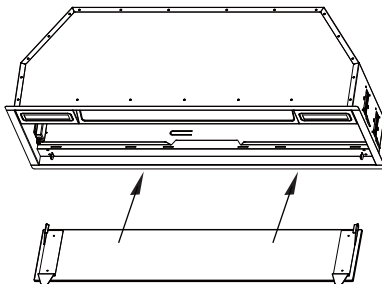
---



4. Lift the rangehood and fit through the opening of the cupboard till the spring loaded brackets / clips hold the product in place.



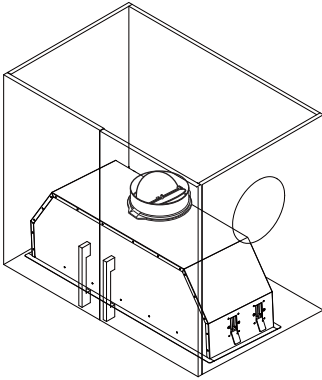
5. Secure rangehood while tightening the 4 brackets / clips.



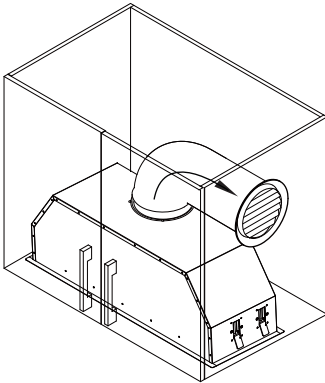
6. Refit perimeter plate and secure using the screws removed in step 3.

## INSTALLATION RANGEHOOD

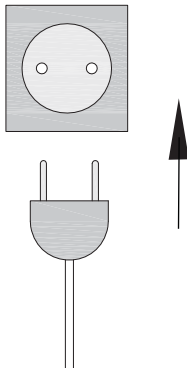
---



**7. Assemble the V-flap.**  
Refer to 'Assembling V-Flap' for details.



**8. Place 150mm ducting around the rangehood outlet. Fix ducting to rangehood outlet with duct tape or cable tie.**



**9. Plug in the rangehood and turn on.**  
Remove blue protective film from filters and perimeter plate.

# INSTALLER CHECKLIST

---

## TO BE COMPLETED BY THE INSTALLER

- Have all packaging been removed?
- Rangehood is correctly installed
- All connections are secure
- The ducting is not bent or crushed in any areas
- Check rangehood suction
- External vent is sealed appropriately
- All local regulations have been met
- Operation has been tested (refer to rangehood user guide)
- Check for unusual noises

## Complete and keep for safe reference:

Model \_\_\_\_\_

Serial no. \_\_\_\_\_

Purchase date \_\_\_\_\_

Purchaser \_\_\_\_\_

Dealer address \_\_\_\_\_

Installer's name \_\_\_\_\_

Installer's signature \_\_\_\_\_

Installation company \_\_\_\_\_

Installation date \_\_\_\_\_

# Haier

---

[WWW.HAIER.COM.AU](http://WWW.HAIER.COM.AU)  
[WWW.HAIER.CO.NZ](http://WWW.HAIER.CO.NZ)